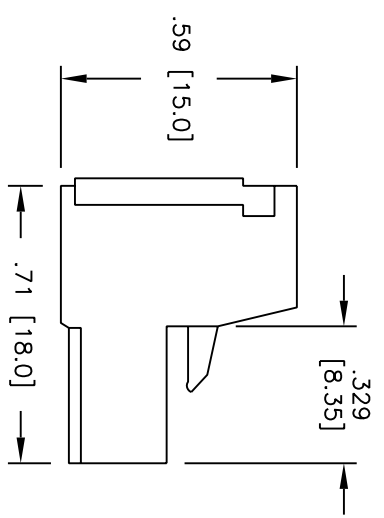
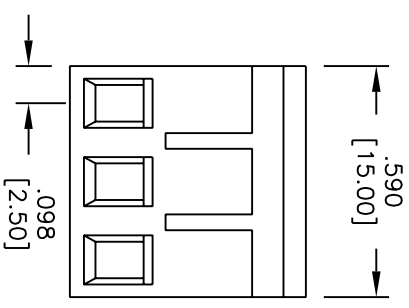
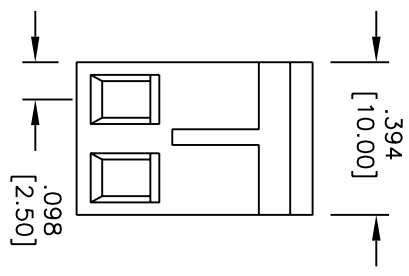
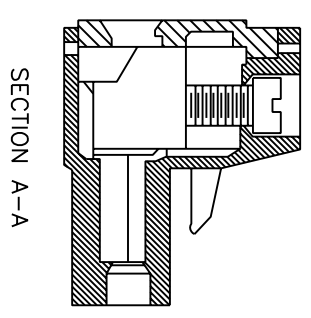
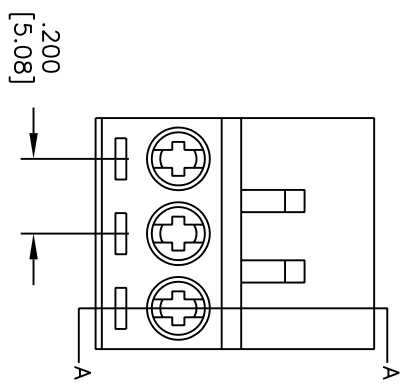
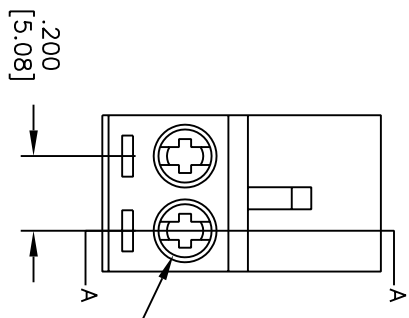


APPROVED: _____
 DATE: _____ TITLE: _____

Rev	AWO #	Description	Date	Appr
-		RELEASED	02/16/05	
A		ADDED ROHS TO SPECIFICATIONS	03/14/05	



2 POLE

3 POLE

SPECIFICATIONS:

- Material: Insulator: Nylon, rated UL 94V-0
- Insulator color: Green
- Metal Housing: Brass, Tin Plated
- Wire Guard: Stainless Steel
- Screw: Steel, Zinc Plated.

- Electrical:
 - Operation voltage: 250 VAC max
 - Current rating: 15 Amps max per Pole
 - Insulation resistance: 5000 Mohms min @ 1000V
 - Dielectric withstanding voltage: 1500 VAC for 1 minute
- Wire Range: 12-24 Awg.
- Environmental:
 - Torque: 5 Kg.cm (max.)
 - Operating temperature: -55°C to +105°C
 - Lead free, RoHS compliant.
 - Recommended Soldering: 230°C± 10°C for 3 Seconds ±0.5 Seconds.



UNLESS OTHERWISE SPECIFIED
 ALL DIMENSIONS ARE MM [INCHES]
 TOLERANCES: EXCEPT AS NOTED

INCHES	HOLES
.X ± .10	ØX ± .10
.XX ± .020	ØXX ± .015
.XXX ± .015	ØXXX ± .010

APPROVALS: _____ DATE: _____

DRAWN: SLS 02/16/05

CHECKED: _____

APPROVED: _____

ADAM TECH
 909 Rahway Avenue, Union, NJ 07083
 Phone: 908-687-5000 Fax: 908-687-5710

TITLE: EURO BLOCK, VERTICAL, 5.8mm PITCH, MATEABLE 2 AND 3 POLE

SIZE: X PART NO.: EBH-XX-D

REF: _____ SCALE: NTS SHEET 1 OF 1