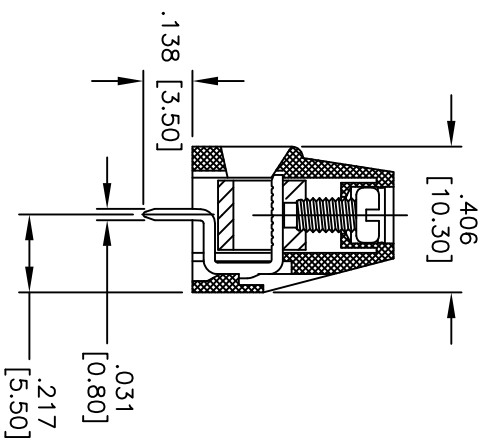
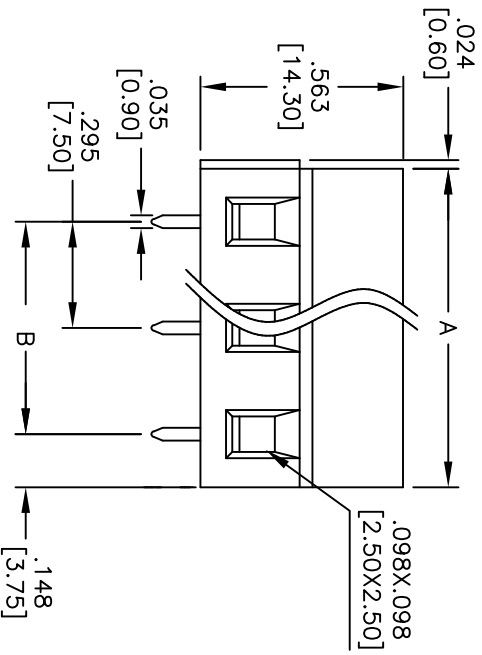
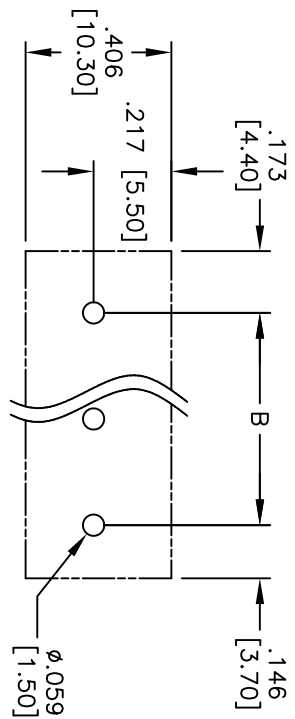
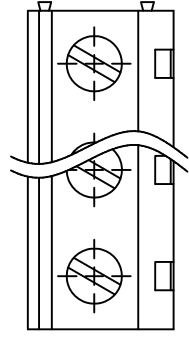


Rev	AWO #	Description	Date	Appr
-		RELEASED	8/05/10	

APPROVED: \_\_\_\_\_  
 DATE: \_\_\_\_\_ TITLE: \_\_\_\_\_



A = .295 [7.50] x No. of Positions  
 B = .295 [7.50] x No. of Spaces

**SPECIFICATIONS:**  
 Material: Insulator: Thermoplastic, rated UL 94V-0  
 Insulator color: Green  
 Clamp: Brass, Nickel plated.  
 Wire guard solder pin: Brass, Tin plated  
 Screw: Steel, M2.5/Zn plated.

**Electrical:**  
 Operation voltage: 300 VAC max  
 Current rating: 10 Amps max per Pole  
 Dielectric withstanding voltage: 1600 VAC for 1 minute

**Mechanical:**  
 Screw Torque: 3.5 Lb-In  
 Solid wire: 12-22 Awg.

**Environmental:**  
 Operating temperature: -40°C to +115°C  
 Lead free, RoHS compliant.  
 Recommended soldering temp: 235°C for 5 sec.



UNLESS OTHERWISE SPECIFIED  
 ALL DIMENSIONS ARE MM [INCHES]  
 TOLERANCES: EXCEPT AS NOTED

INCHES	HOLES
.X ± .10	ØX ± .10
.XX ± .020	ØXX ± .015
.XXX ± .015	ØXXX ± .010

APPROVALS: \_\_\_\_\_ DATE: \_\_\_\_\_

DRAWN: DY 8/05/10  
 CHECKED: \_\_\_\_\_  
 APPROVED: \_\_\_\_\_

**ADAM TECH**  
 909 Rahway Avenue, Union, NJ 07083  
 Phone: 908-687-5000 Fax: 908-687-5710

TITLE: **NODULAR EURO BLOCK, VERTICAL,**  
**.295 [7.50] PITCH**

SIZE	PART NO.	REV.
X	EBAC-XX-M	-
REF: S00007T	SCALE: NTS	SHEET 1 OF 1