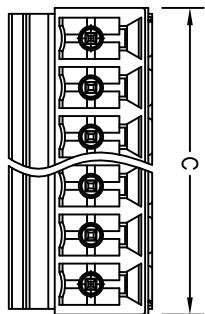
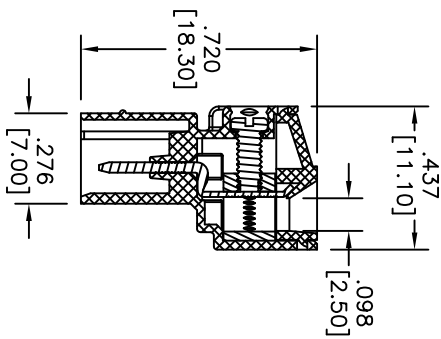
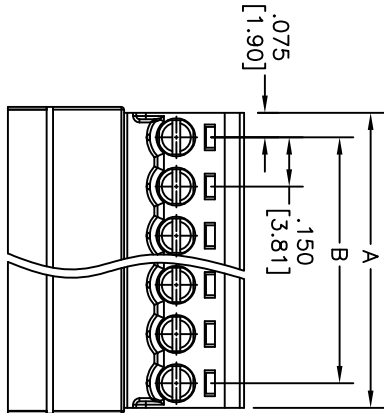
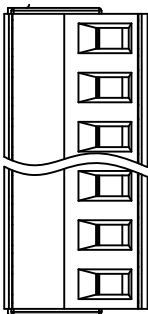


Rev	AWO #	Description	Date	Appr
-		RELEASED	3/09/11	

APPROVED: \_\_\_\_\_  
 DATE: \_\_\_\_\_ TITLE: \_\_\_\_\_



**SPECIFICATIONS:**

Material: Insulator: Thermoplastic, rated UL 94V-0  
 Insulator color: Green  
 Terminal Body: Brass, Zinc plated  
 Contact Pin: Brass, Tin plated  
 Screw: Steel, Zinc plated, M2  
 Flange nut: Brass

**Electrical:**

Operation voltage: 300V  
 Current rating: 8 Amps  
 Withstanding voltage: 1600 VAC for 1 minute  
 Solid wire (AWG): 14-30  
 Stranded wire (AWG): 14-30  
 Environmental:  
 Lead free, RoHS compliant.  
 Operating temperature: -40°C to +115°C



2 thru 24 Poles Available  
 A = .150 [3.81] x No. of Poles  
 B = .150 [3.81] x No. of Spaces  
 C = .150 [3.81] x No. of Poles + .035 [0.89]

UNLESS OTHERWISE SPECIFIED  
 ALL DIMENSIONS ARE INCHES [MM]  
 TOLERANCES: EXCEPT AS NOTED  
 INCHES Holes ±.10  
 .X ±.10 Ø.X  
 .XX ±.020 Ø.XX  
 .XXX ±.015 Ø.XXX

APPROVALS	DATE
DRAWN	3/09/11
CHECKED	
APPROVED	

**ADAM TECH**

909 Rahway Avenue, Union, NJ 07083  
 Phone: 908-687-5000 Fax: 908-687-5710

TITLE: PLUGGABLE BLOCK, PITCH .150 [3.81]  
 2 THRU 24 POLES

SIZE	PART NO.	REV.
X	EB86-XX-B	
REF: S00007T	SCALE: NTS	SHEET 1 OF 1