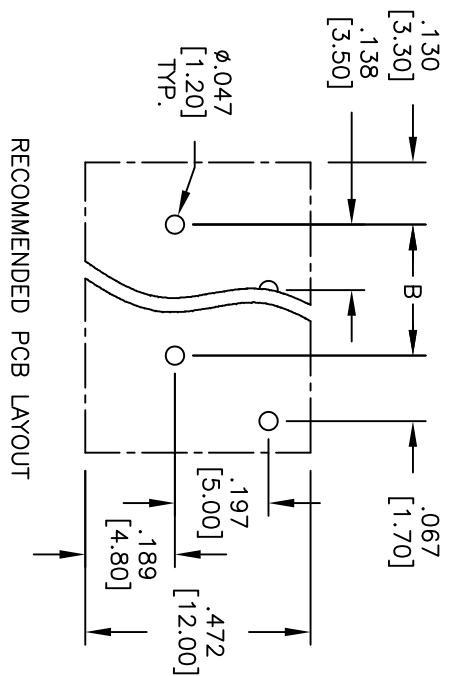
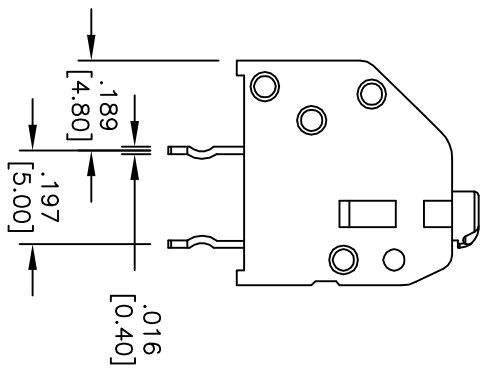
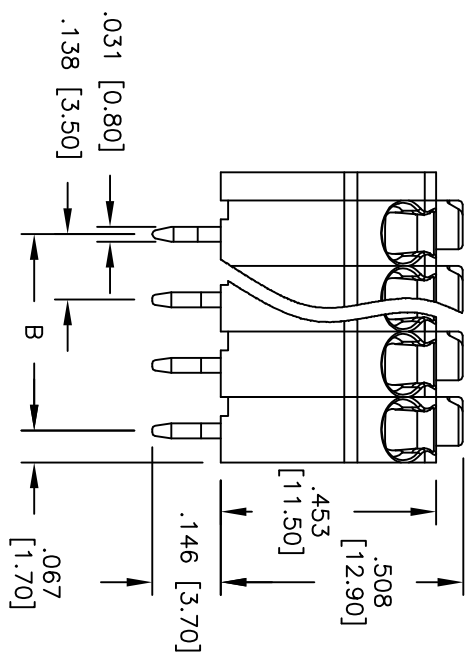
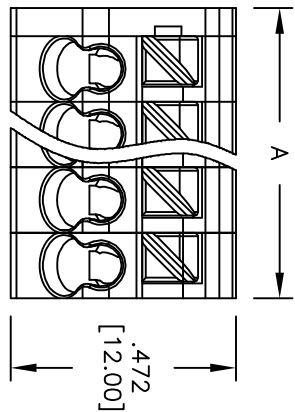


Rev	AWO #	Description	Date	Appr
-	9427	RELEASED	3/06/09	

APPROVED: \_\_\_\_\_  
 DATE: \_\_\_\_\_ TITLE: \_\_\_\_\_



**SPECIFICATIONS:**  
 Material: Insulator: PA66, rated UL 94V-0  
 Insulator color: Gray  
 Contact: Bronze, Tin plated  
 Electrical: Operation voltage: 300 VAC max  
 Current rating: 6 Amps max per Pole  
 Mechanical: Solid wire: 20-16 AWG  
 Environmental: Operating temperature: -30°C to +105°C  
 Lead free, RoHS compliant.  
 Recommended soldering temp: 235°C for 5 sec.

Poles: 2 thru 24  
 A = .138 [3.50] x No. of Poles + .059 [1.50]  
 B = .138 [3.50] x No. of Spaces

UNLESS OTHERWISE SPECIFIED  
 ALL DIMENSIONS ARE INCHES [MM]  
 TOLERANCES: EXCEPT AS NOTED  
 INCHES Holes

.X	± .10	ØXX	± .10
.XX	± .020	ØXXX	± .015
.XXX	± .015	ØXXXX	± .010

APPROVALS: \_\_\_\_\_ DATE: \_\_\_\_\_

DRAWN: DY 3/06/09  
 CHECKED: \_\_\_\_\_  
 APPROVED: \_\_\_\_\_

**ADAM TECH**  
 909 Rainway Avenue, Union, NJ 07083  
 Phone: 908-687-5000 Fax: 908-687-5710

TITLE: MINI TYPE, SIMPLE TYPE CAGE CLAMP TERMINAL BLOCKS,  
 3.50MM PITCH

SIZE: X PART NO.: EB59-XX-A  
 REF: S00007T SCALE: NTS SHEET 1 OF 1

