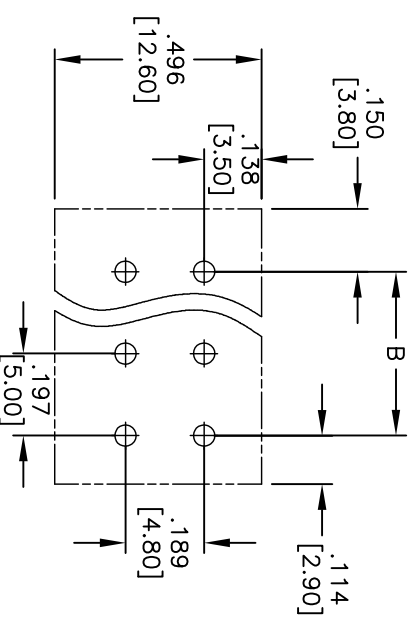
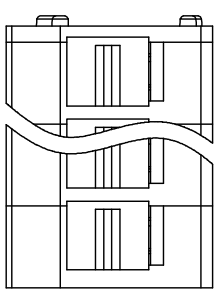
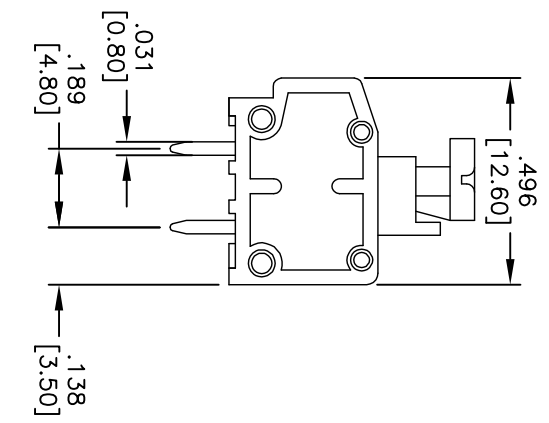
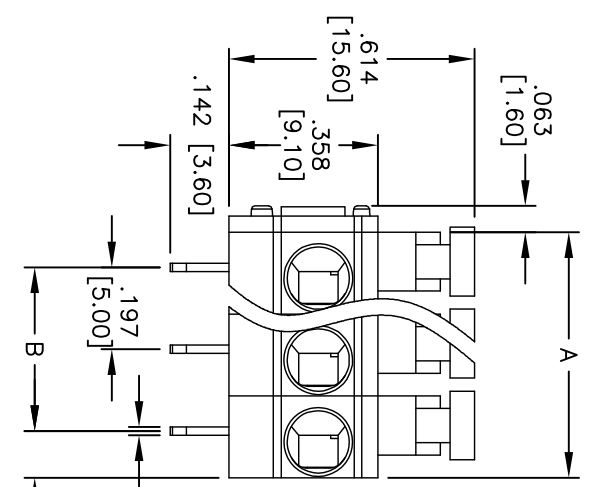


Rev	AWO #	Description	Date	Appr
-		RELEASED	1/18/11	

APPROVED: _____
 DATE: _____ TITLE: _____



Recommended PCB Layout



Dim	A	B
2-6P	±.008 [0.20]	±.006 [0.15]
7-12P	±.012 [0.30]	±.010 [0.25]
13-18P	±.016 [0.40]	±.014 [0.35]
19-24P	±.018 [0.45]	±.016 [0.40]

Poles: 2 thru 24
 A = .197 [5.00] X No. of Positions
 B = .197 [5.00] X No. of Spaces

SPECIFICATIONS:

Material:
 Insulator: Thermoplastic, rated UL 94V-0
 Insulator color: Gray
 Contact: Brass, Tin plated.
Electrical:
 Operation voltage: 300 VAC
 Current rating: 10 Amps
Mechanical:
 Wire strip length: 9-10mm
 Wire Range: 14-20 Awg
 Withstanding Voltage: 1.6KV
Environmental:
 Operating temperature: -40°C to +115°C
 Lead free, RoHS compliant.
 Recommended soldering temp: 235°C for 5 sec.



ADAM TECH
 909 Rahway Avenue, Union, NJ 07083
 Phone: 908-687-5000 Fax: 908-687-5710

TITLE: EURO BLOCK, .197 [5.00] PITCH, W/ LEVER

UNLESS OTHERWISE SPECIFIED
 ALL DIMENSIONS ARE MM [INCHES]
 TOLERANCES: EXCEPT AS NOTED

INCHES	HOLES
.X ±.10	ØXX ±.10
.XX ±.020	ØXXX ±.015
.XXX ±.015	ØXXXX ±.010

APPROVALS	DATE
DRAWN AY	1/18/11
CHECKED AH	1/18/11
APPROVED	

SIZE	PART NO.	REV.
X	EB58-XX-C-1-WL	-

REF: S00007T SCALE: NTS SHEET 1 OF 1