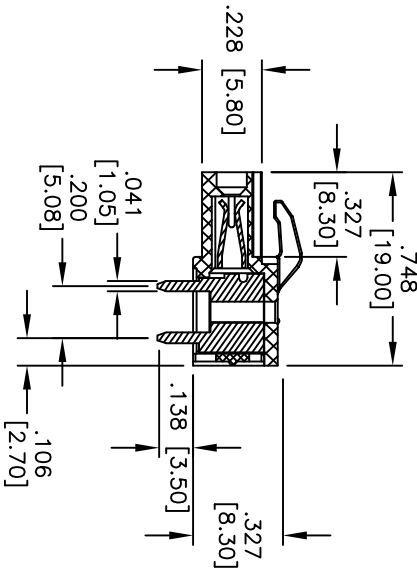
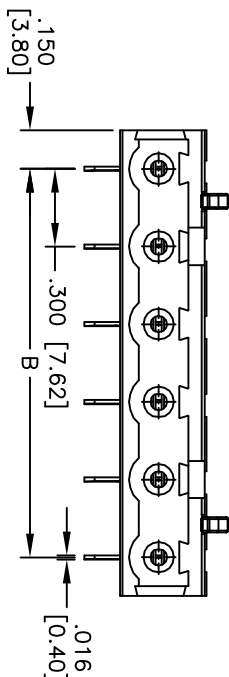
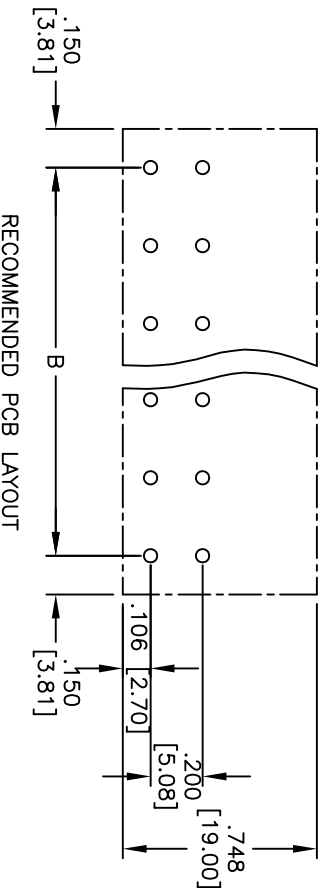
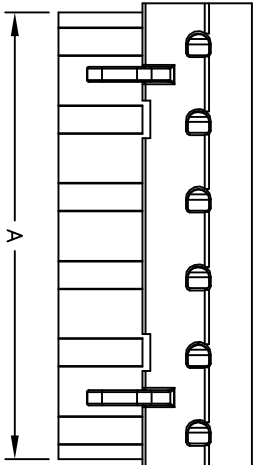


Rev	AWO #	Description	Date	Appr
-		RELEASED	2/04/10	

APPROVED: _____
 DATE: _____ TITLE: _____



Positions: 2 thru 16
 A = .300 [7.62] x No. of (Poles-1) + .221 [5.62]
 B = .300 [7.62] x No. of (Poles-1)

SPECIFICATIONS:
 Material: Insulator: Thermoplastic, rated UL 94V-0
 Insulator color: Green
 Wire guard: Phosphor Bronze, Tin plated
 Electrical: Operation voltage: 300 VAC max
 Current rating: 10 Amps
 Withstanding Voltage: 1.6KV
 Environmental: Operating temperature: -30°C to +105°C
 Lead free, ROHS compliant.
 Recommended soldering temp: 235°C for 5 sec.



ADAM TECH

909 Rahway Avenue, Union, NJ 07083
 Phone: 908-687-5000 Fax: 908-687-5710

TITLE: TERMINAL BLOCK, PCB, 300 [7.62] PITCH

UNLESS OTHERWISE SPECIFIED ALL DIMENSIONS ARE MM [INCHES] TOLERANCES: EXCEPT AS NOTED	
INCHES	HOLDS
.X ± .10	ØX ± .10
.XX ± .020	ØXX ± .015
.XXX ± .015	ØXXX ± .010
APPROVALS	DATE
DRAWN	DY
CHECKED	
APPROVED	
	2/04/10

SIZE	PART NO.	REV.
X	EB50-XX-G	-
REF:	S00007T	SHEET 1 OF 1
SCALE:	NIS	