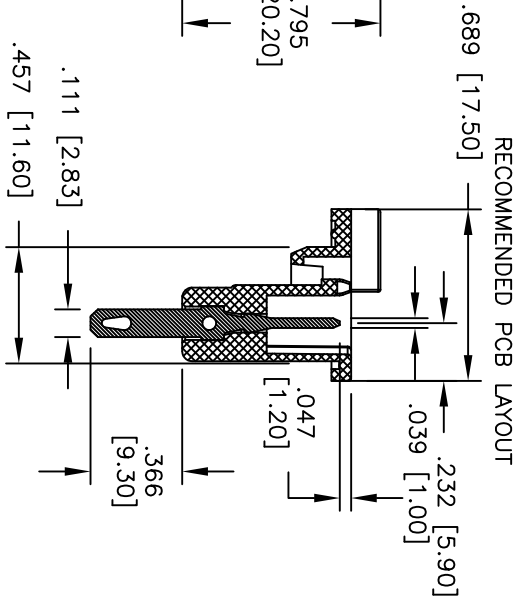
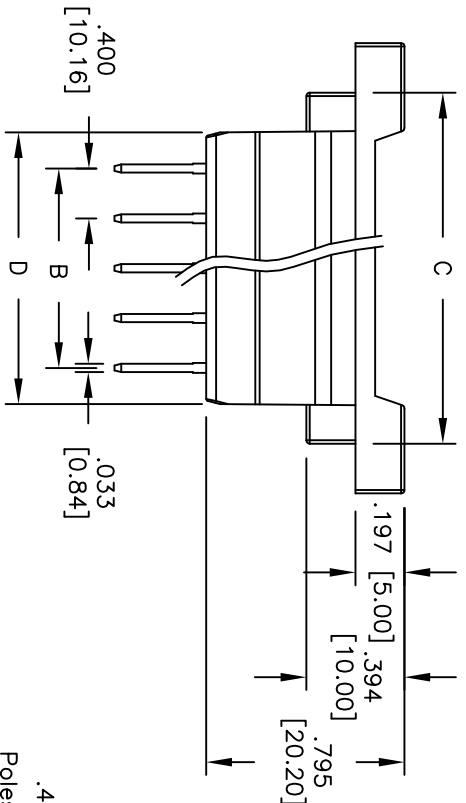
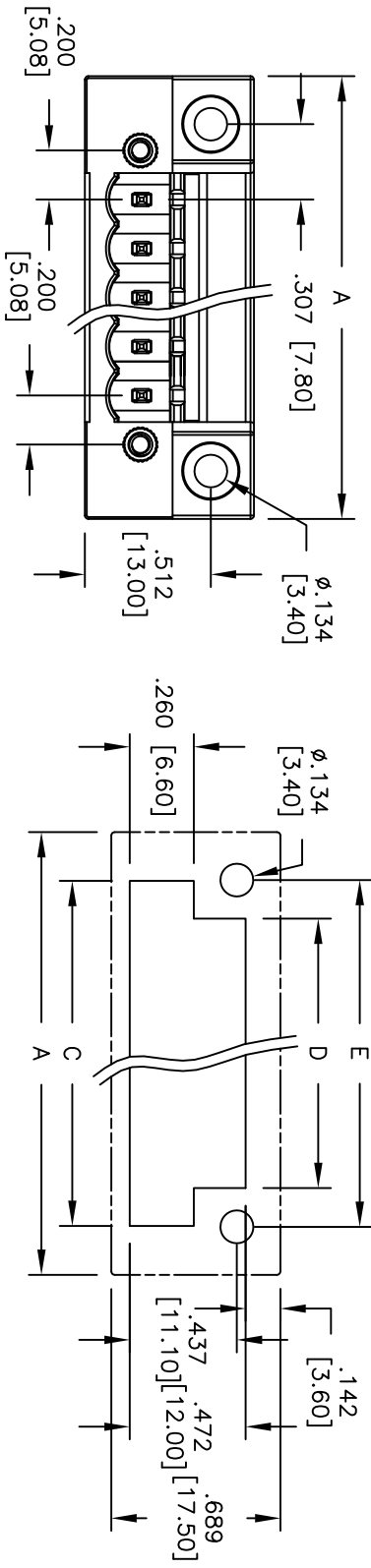


Rev	AWO #	Description	Date	Appr
-		RELEASED	10/22/09	

APPROVED: \_\_\_\_\_  
 DATE: \_\_\_\_\_ TITLE: \_\_\_\_\_



- Poles: 2 thru 24
- A = .200 [5.08] x No. of Poles + .807 [20.50]
  - B = .200 [5.08] x No. of (Poles - 1)
  - C = .200 [5.08] x No. of Poles + .406 [10.30]
  - D = .200 [5.08] x No. of Poles + .098 [2.50]
  - E = .200 [5.08] x No. of (Poles - 1) + .614 [15.60]

# ADAM TECH

909 Railway Avenue, Union, NJ 07083  
 Phone: 908-687-5000 Fax: 908-687-5710

200 [5.08] TERMINAL BLOCK

**SPECIFICATIONS:**  
 Material: Thermoplastic, rated UL 94V-0  
 Insulator color: Green  
 Contact: Brass, Tin plated  
 Electrical:  
 Operation voltage: 300 VAC max  
 Current rating: 10 Amps max  
 Withstanding voltage: 1.6kv  
 Environmental:  
 Operating temperature: -30°C to +105°C  
 Lead free, RoHS compliant.  
 Recommended soldering temp: 235°C for 5 sec.



UNLESS OTHERWISE SPECIFIED ALL DIMENSIONS ARE INCHES [MM]		TOLERANCES: EXCEPT AS NOTED	
INCHES		HOLDS	
.X	± .10	ØX	± .10
.XX	± .020	ØXXX	± .015
.XXX	± .015	ØXXXX	± .010

APPROVALS	DATE	TITLE
DRAWN	DY	10/22/09
CHECKED		
APPROVED		

SIZE	PART NO.	REV.
X	EB49-XX-D	-
REF:	S00007T	SCALE: NTS
SHEET 1	OF 1	