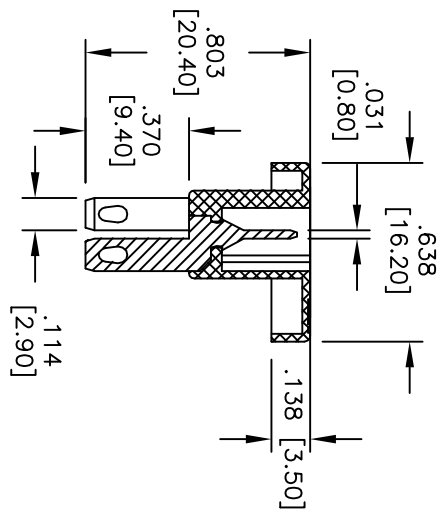
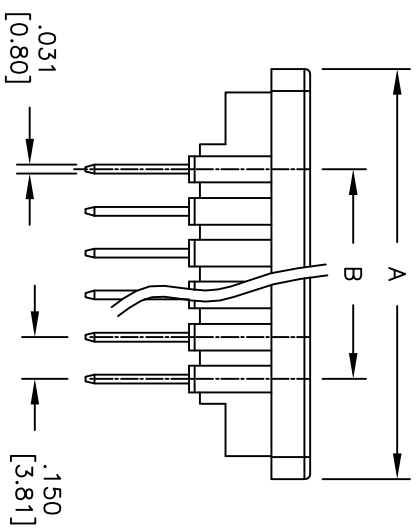
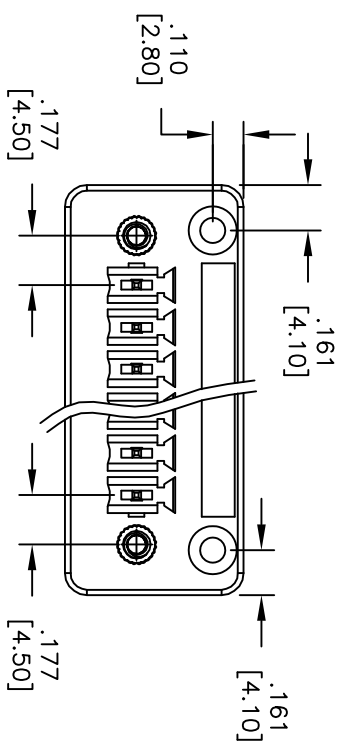


Rev	AWO #	Description	Date	Appr
-		RELEASED	10/22/09	

APPROVED: _____
 DATE: _____ TITLE: _____



Poles: 2 thru 24
 A = .150 [3.81] x No. of (Poles - 1) + .717 [18.20]
 B = .150 [3.81] x No. of (Poles - 1)

ADAM TECH

909 Railway Avenue, Union, NJ 07083
 Phone: 908-687-5000 Fax: 908-687-5710

TITLE: .150 [3.81] TERMINAL BLOCK

SPECIFICATIONS:
 Material: Thermoplastic, rated UL 94V-0
 Insulator color: Green
 Contact: Brass, Tin plated
 Electrical:
 Operation voltage: 300 VAC max
 Current rating: 10 Amps max
 Withstanding voltage: 1.6kv
 Environmental:
 Operating temperature: -30°C to +105°C
 Lead free, RoHS compliant.
 Recommended soldering temp: 235°C for 5 sec.



UNLESS OTHERWISE SPECIFIED ALL DIMENSIONS ARE INCHES [MM]		TOLERANCES: EXCEPT AS NOTED	
INCHES		HOLDS	
.X	± .10	ØX	± .10
.XX	± .020	ØXX	± .015
.XXX	± .015	ØXXX	± .010
APPROVALS	DATE	TITLE	
DRAWN	DY	10/22/09	
CHECKED		SIZE	PART NO.
APPROVED		X	EB49-XX-B
REF: S00007T		SCALE:	NTS
		SHEET	1 OF 1