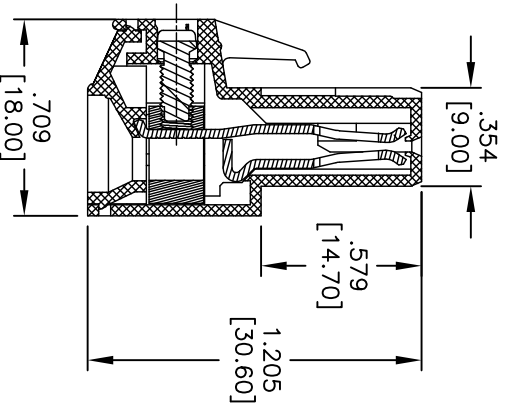
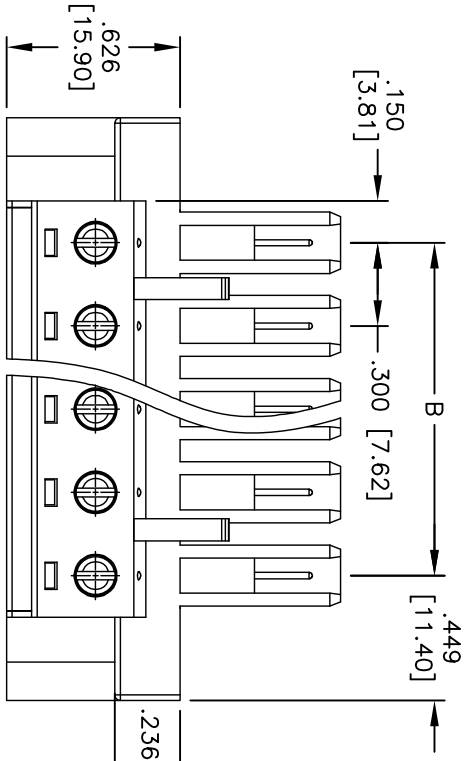
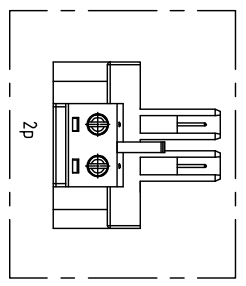
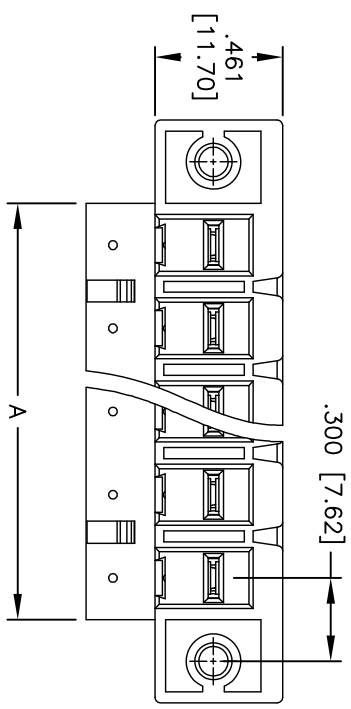


APPROVED: _____

DATE: _____ TITLE: _____

| Rev | AWO # | Description | Date | Appr |
|-----|-------|-------------|----------|------|
| - | | RELEASED | 11/30/10 | |



SPECIFICATIONS:

Material: Insulator: Thermoplastic, rated UL 94V-0
 Insulator color: Green
 Clamp: Brass, Nickel plated
 Screw: M3.0, Steel, Zn plated.
 Contact: Copper Alloy, Tin plated.

Electrical: Operation voltage: 300 VAC
 Current rating: 20 Amps

Mechanical: Wire strip length: 7-8mm
 Torque (lb-in): 4.5
 Wire Range: 10-30 Awg
 Withstanding Voltage: 1.6KV

Environmental: Operating temperature: -40°C to +115°C
 Lead free, RoHS compliant.
 Recommended soldering temp: 235°C for 5 sec.



Poles: 2 thru 16
 A = .300 [7.62] X No. of Positions
 B = .300 [7.62] X No. of Spaces

UNLESS OTHERWISE SPECIFIED
 ALL DIMENSIONS ARE MM [INCHES]
 TOLERANCES: EXCEPT AS NOTED

| | | | |
|------|--------|------|--------|
| X | ± .10 | ØX | ± .10 |
| .XX | ± .020 | ØXX | ± .015 |
| .XXX | ± .015 | ØXXX | ± .010 |

ADAM TECH
 909 Rahway Avenue, Union, NJ 07083
 Phone: 908-687-5000 Fax: 908-687-5710

TITLE: EURO BLOCK, .300 [7.62] PITCH

| APPROVALS | DATE |
|------------|----------|
| DRAWN AY | 11/30/10 |
| CHECKED AH | 11/30/10 |
| APPROVED | |

| | | |
|--------------|-------------|--------------|
| SIZE | PART NO. | REV. |
| X | EB42-XX-G-E | |
| REF: S00007T | SCALE: NTS | SHEET 1 OF 1 |