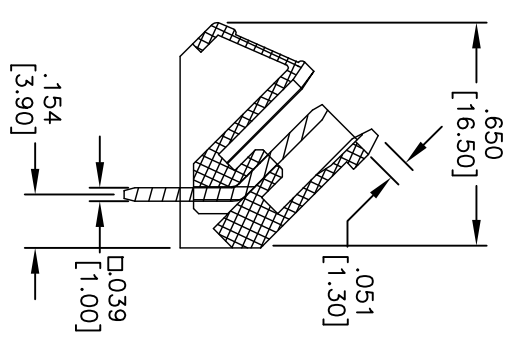
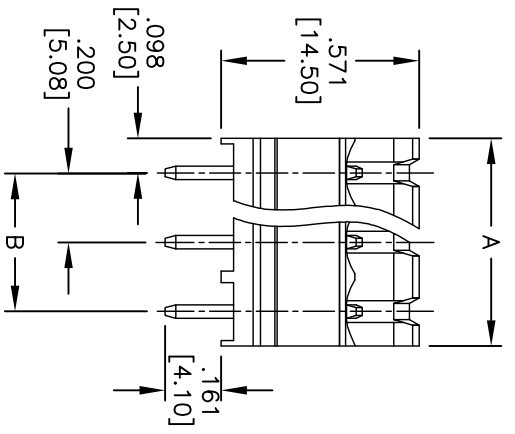
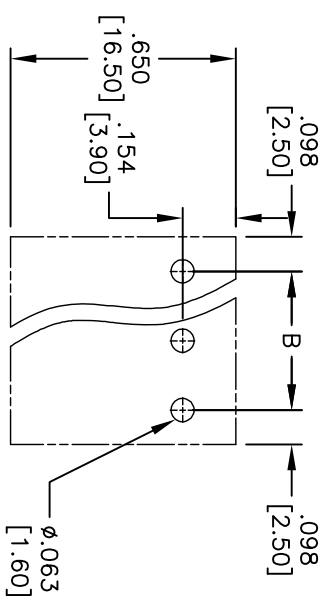
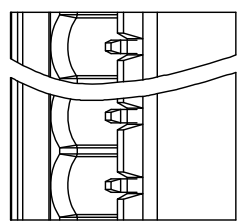


Rev	AWO #	Description	Date	Appr
-		RELEASED	11/30/10	

APPROVED: \_\_\_\_\_  
 DATE: \_\_\_\_\_ TITLE: \_\_\_\_\_



Poles: 2 thru 24  
 A = .200 [5.08] X No. of Positions  
 B = .200 [5.08] X No. of Spaces

	Dim A	Dim B
2-6P	$\pm$ .006 [0.15]	$\pm$ .004 [0.10]
7-12P	$\pm$ .008 [0.20]	$\pm$ .008 [0.20]
13-18P	$\pm$ .012 [0.30]	$\pm$ .010 [0.25]
19-24P	$\pm$ .016 [0.40]	$\pm$ .012 [0.30]

# ADAM TECH

909 Rahway Avenue, Union, NJ 07083  
 Phone: 908-687-5000 Fax: 908-687-5710

TITLE: EURO BLOCK, PCB .200 [5.08] PITCH  
 45 DEGREE ANGLE

**SPECIFICATIONS:**  
 Material: Thermoplastic, rated UL 94V-0  
 Insulator color: Green  
 Contact: Copper Alloy, Tin plated.  
 Electrical:  
 Operation voltage: 300 VAC  
 Current rating: 15 Amps  
 Mechanical:  
 Withstanding Voltage: 1.6KV  
 Environmental:  
 Operating temperature: -40°C to +115°C  
 Lead free, RoHS compliant.  
 Recommended soldering temp: 235°C for 5 sec.



UNLESS OTHERWISE SPECIFIED ALL DIMENSIONS ARE IN MILLIMETERS [INCHES]	
TOLERANCES: EXCEPT AS NOTED	
INCHES	HOLES
X .10	$\phi$ X $\pm$ .10
.XX $\pm$ .020	$\phi$ XX $\pm$ .015
.XXX $\pm$ .015	$\phi$ XXX $\pm$ .010
APPROVALS	
DATE	DATE
DRAWN AY	11/30/10
CHECKED AH	11/30/10
APPROVED	

SIZE	PART NO.	REV.
X	EB41-XX-D-OP	-
REF: S00007T	SCALE: NTS	SHEET 1 OF 1

6 5 4 3 2 1