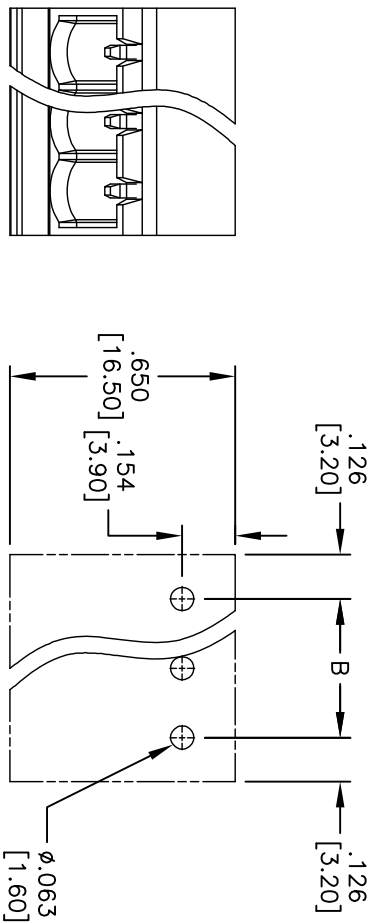
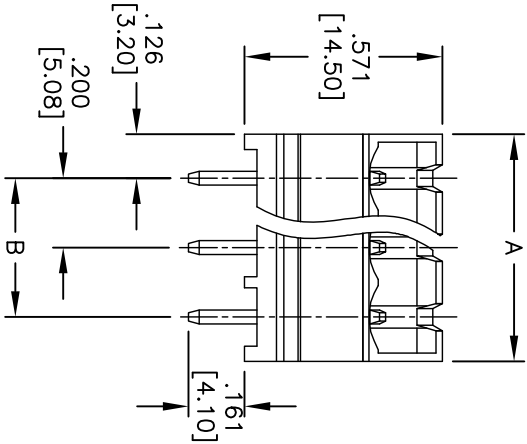
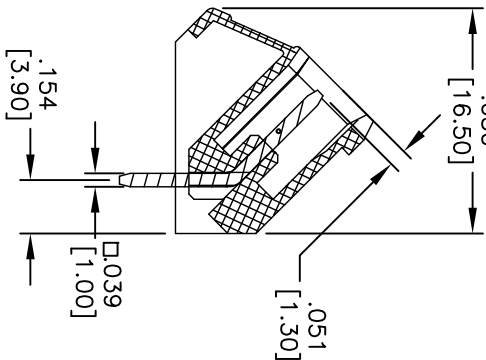


Rev	AWO #	Description	Date	Appr
-		RELEASED	11/30/10	

APPROVED: _____
 DATE: _____ TITLE: _____



Recommended PCB Layout



Poles: 2 thru 24
 A = .200 [5.08] X No. of Spaces + .255 [6.48]
 B = .200 [5.08] X No. of Spaces

SPECIFICATIONS:

- Material: Insulator: Thermoplastic, rated UL 94V-0
- Insulator color: Green
- Contact: Copper Alloy, Tin plated.
- Electrical: Operation voltage: 300 VAC
- Current rating: 15 Amps
- Mechanical: Withstanding Voltage: 1.6KV
- Environmental: Operating temperature: -40°C to +115°C
- Lead free, RoHS compliant.
- Recommended soldering temp: 235°C for 5 sec.



UNLESS OTHERWISE SPECIFIED	
ALL DIMENSIONS ARE MM [INCHES]	
TOLERANCES: EXCEPT AS NOTED	
INCHES	HOLES
.X ± .10	Ø.X ± .10
.XX ± .020	Ø.XX ± .015
.XXX ± .015	Ø.XXX ± .010
APPROVALS	
DRAWN	AY
CHECKED	AH
DATE	DATE

ADAM TECH
 909 Rahway Avenue, Union, NJ 07083
 Phone: 908-687-5000 Fax: 908-687-5710

TITLE: EURO BLOCK, PCB .200 [5.08] PITCH
 45 DEGREE ANGLE

SIZE	PART NO.	REV.
X	EB41-XX-D-CL	
REF: S00007T	SCALE: NTS	SHEET 1 OF 1