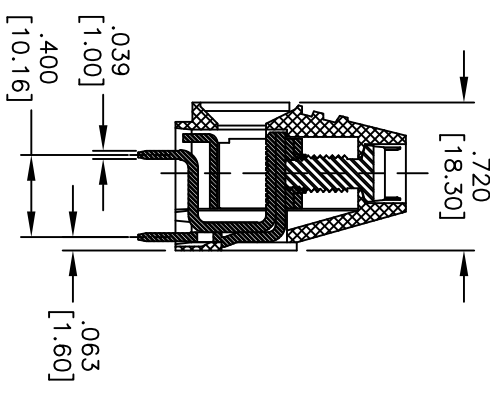
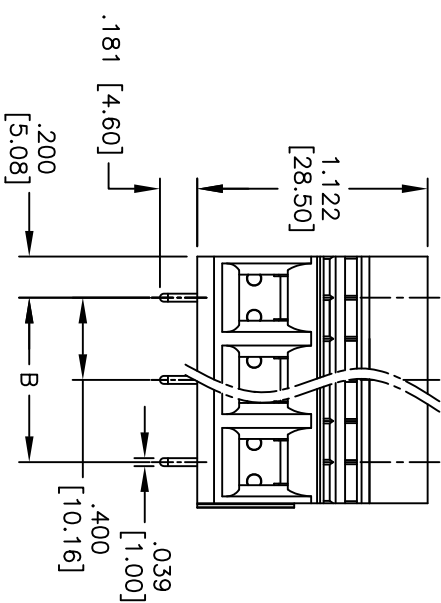
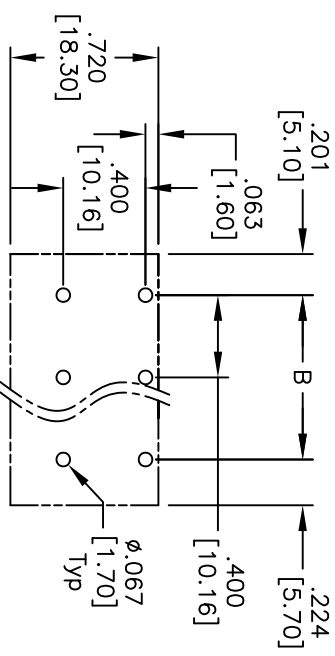
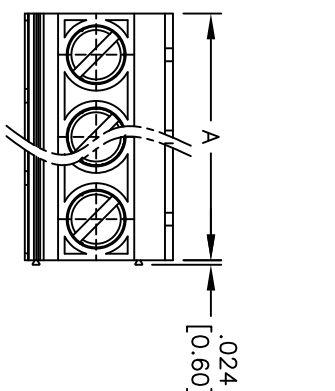


APPROVED: \_\_\_\_\_  
 DATE: \_\_\_\_\_ TITLE: \_\_\_\_\_

Rev	AWO #	Description	Date	Appr
-		RELEASED	5/26/10	
A		REVISED COLOR	10/25/10	



Positions: 02 thru 12  
 A = .400 [10.16] x No. of Positions  
 B = .400 [10.16] x No. of Spaces

**SPECIFICATIONS:**

- Material:**  
 Insulator: Thermoplastic, rated UL 94V-0  
 Insulator color: Grey  
 Contact: Copper, Tin plated.  
**Electrical:**  
 Operation voltage: 300 VAC  
 Current rating: 65 Amps  
 Dielectric withstanding voltage: 1600 VAC for 1 minute  
**Environmental:**  
 Operating temperature: -40°C to +115°C  
 Lead free, RoHS compliant.  
 Recommended soldering temp: 235°C for 5 sec.



UNLESS OTHERWISE SPECIFIED ALL DIMENSIONS ARE MM [INCHES] TOLERANCES: EXCEPT AS NOTED	
INCHES	HOLES
.X ± .10	± .10
.XX ± .020	± .015
.XXX ± .015	± .010
APPROVALS	DATE
DRAWN	DY
CHECKED	
APPROVED	

**ADAM TECH**  
 909 Rahway Avenue, Union, NJ 07083  
 Phone: 908-687-5000 Fax: 908-687-5710

TITLE: **TERMINAL BLOCK, .400 [10.16] PITCH, SINGLE CONTACT**

SIZE	PART NO.	REV.
X	EB32-XX-J-ST	A
REF: S00007T	SCALE: NTS	SHEET 1 OF 1