

Rev	AWO #	Description	Date	Appr
-	9427	RELEASED	3/20/09	

6

5

4

3

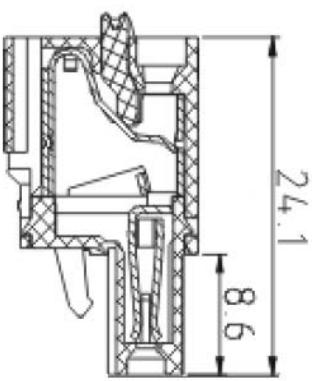
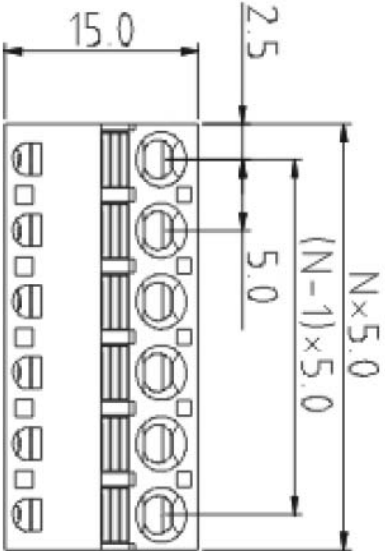
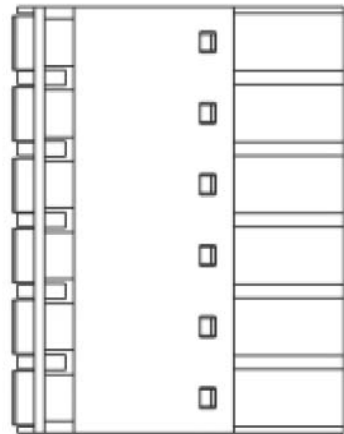
2

1

1

APPROVED: _____

DATE: _____ TITLE: _____



SPECIFICATIONS:

Material: Insulator: PA66, rated UL 94V-0
 Insulator color: Green
 Contact: Phosphor Bronze, Tin plated
 Electrical:
 Operation voltage: 300 VAC max
 Current rating: 10 Amps max per Pole
 Contact resistance: 20 mohms max
 Insulation resistance: 500 Mohms min @ DC500V
 Dielectric withstanding voltage: 1600 VAC for 1 minute
 Mechanical:
 Wire Range: 20 to 28 Awg
 Environmental:
 Operating temperature: -30°C to +105°C
 Lead free, RoHS compliant.
 Recommended soldering temp: 235°C for 5 sec.

A

B

C

D

6

5

4

3

2

1

A

B

C

D

ADAM TECH

909 Railway Avenue, Union, NJ 07083
 Phone: 908-687-5000 Fax: 908-687-5710

TITLE: TERMINAL BLOCK, SPRING FOR PLUGGABLE,
 5.0MM PITCH, CONTACT ON DOWN SIDE

UNLESS OTHERWISE SPECIFIED ALL DIMENSIONS ARE MM	
TOLERANCES EXCEPT AS NOTED	HOLE ± .10
.X ± .10	Ø.X ± .015
.XX ± .020	Ø.XXX ± .010
.XXX ± .015	
APPROVALS	DATE
DRAWN DY	3/20/09
CHECKED	
APPROVED	

REF: S00007T	SCALE: NTS	SHEET 1 OF 1
SIZE X	PART NO. EB2-XX-M-C-CSD	REV. -

