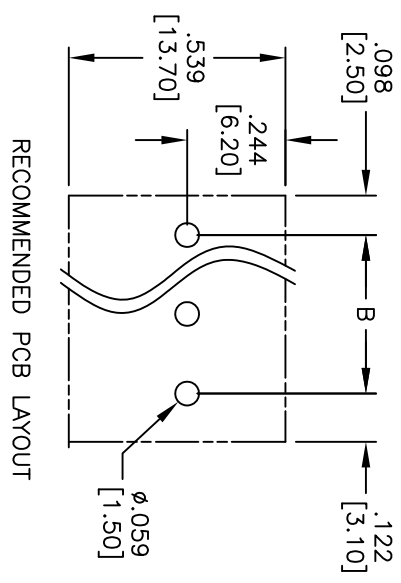
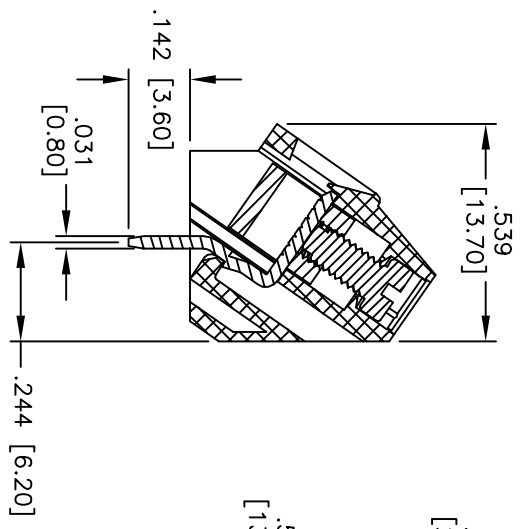
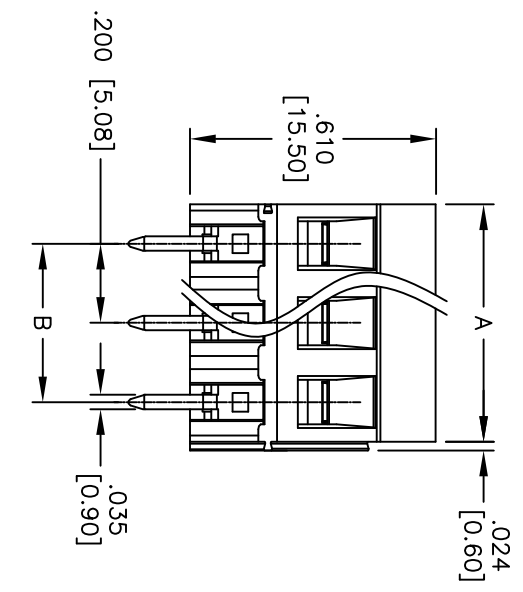
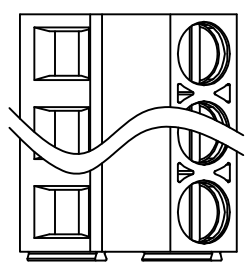


Rev	AWO #	Description	Date	Appr
-		RELEASED	8/25/10	

APPROVED: _____

DATE: _____ TITLE: _____



SPECIFICATIONS:

- Material: Insulator: Thermoplastic, rated UL 94V-0
- Insulator color: Green
- Screw: M2.5, Steel, Zn plated.
- Contact: Brass, Tin plated.
- Electrical: Operation voltage: 300 VAC
- Current rating: 10 Amps
- Mechanical: Torque (Lb-In): 3.5
- Wire Range: 24-12 Awg
- Withstanding Voltage: 1.6KV
- Environmental: Operating temperature: -40°C to +115°C
- Lead free, RoHS compliant.
- Recommended soldering temp: 235°C for 5 sec.

Poles: 2 thru 24
 A = .200 [5.08] X No. of Positions
 B = .200 [5.08] x No. of Spaces

UNLESS OTHERWISE SPECIFIED
 ALL DIMENSIONS ARE MM [INCHES]
 TOLERANCES: EXCEPT AS NOTED
 INCHES HOLES

X	± .10	ØX	± .10
.XX	± .020	ØXX	± .015
.XXX	± .015	ØXXX	± .010

ADAM TECH
 909 Rahway Avenue, Union, NJ 07083
 Phone: 908-687-5000 Fax: 908-687-5710

TITLE: EURO BLOCK, .200" [5.08] PITCH



APPROVALS	DATE
DRAWN	DY
CHECKED	
APPROVED	

SIZE	PART NO.	REV.
X	EB17-XX-D	-
REF:	S0000TT	
SCALE:	NTS	
SHEET	1 OF 1	