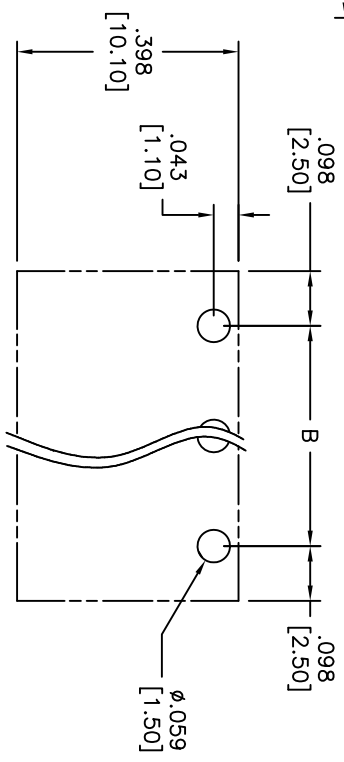
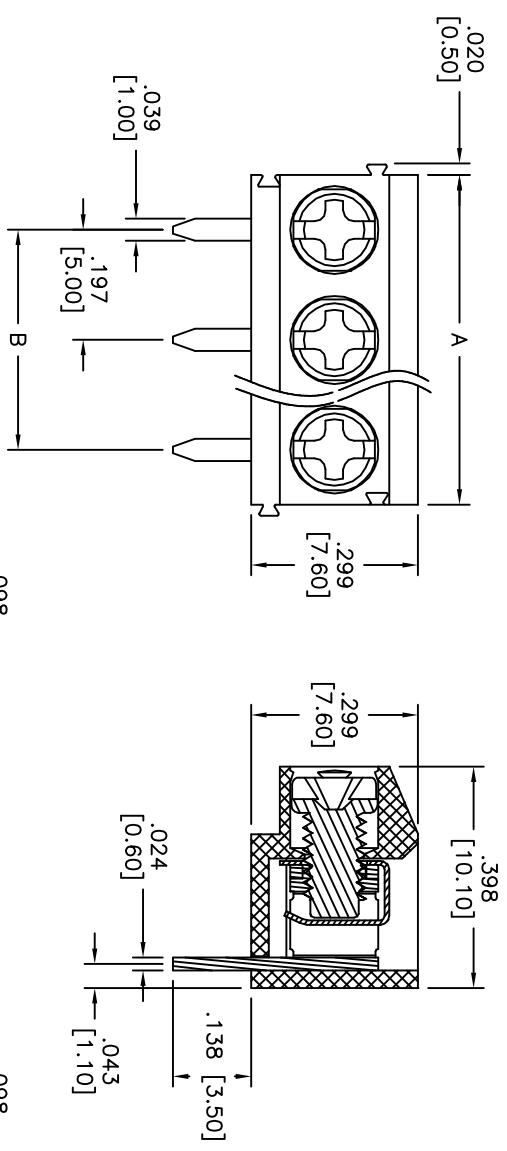


Rev	AWO #	Description	Date	Appr
-		RELEASED	11/04/09	

APPROVED: \_\_\_\_\_  
 DATE: \_\_\_\_\_ TITLE: \_\_\_\_\_



A = .197 [5.00] X No. of Positions  
 B = .197 [5.00] X No. of Spaces

RECOMMENDED PCB LAYOUT

**SPECIFICATIONS:**  
 Material: Thermoplastic, rated UL 94V-0  
 Insulator color: Green  
 Wire Cage: Stainless steel  
 Screw: Steel, M2.5/Zn plated  
 Contact: Brass, Tin plated  
 Electrical:  
 Operation voltage: 300 VAC max  
 Current rating: 8 Amps max per Pole  
 Dielectric withstanding voltage: 1600 VAC for 1 minute  
 Mechanical:  
 Screw Torque(Lb-In): 3.5  
 Wire Range: 14-26 Awg

Environmental:  
 Operating temperature: -40°C to +115°C  
 Lead free, RoHS compliant.  
 Recommended soldering temp: 235°C for 5 sec.



**ADAM TECH**

909 Rahway Avenue, Union, NJ 07083  
 Phone: 908-687-5000 Fax: 908-687-5710

TERMINAL BLOCK, PCB, .197" [5.00] PITCH

UNLESS OTHERWISE SPECIFIED ALL DIMENSIONS ARE MM [INCHES] TOLERANCES: EXCEPT AS NOTED		INCHES		HOLES	
X	± .10	ØX	± .10		
.XX	± .020	ØXX	± .015		
.XXX	± .015	ØXXX	± .010		
APPROVALS					
DRAWN	DY	DATE	11/04/09	SIZE	PART NO.
CHECKED				X	EB15-XX-C
APPROVED				REF:	S00007T
			SCALE:	NTS	SHEET 1 OF 1

6 5 4 3 2 1