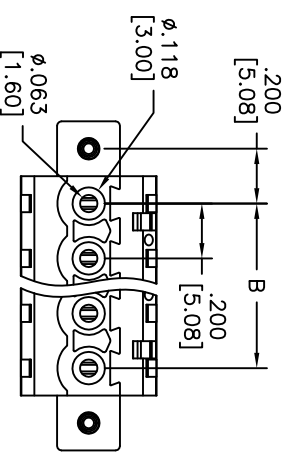
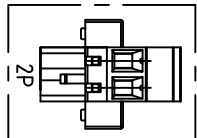
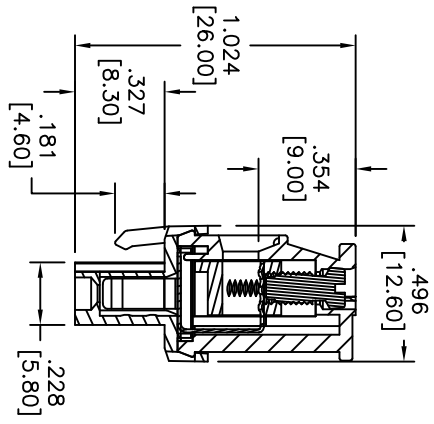
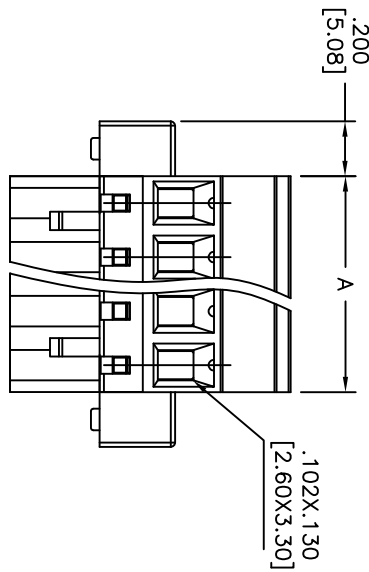
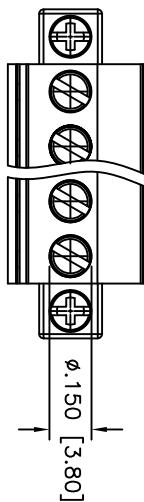


Rev	AWO #	Description	Date	Appr
-		RELEASED	7/27/10	

APPROVED: _____
 DATE: _____ TITLE: _____



Poles: 2 thru 24
 A = .200 [5.08] X No. of Poles
 B = .200 [5.08] X No. of (Poles - 1)

SPECIFICATIONS:
 Material: Insulator: Thermoplastic, rated UL 94V-0
 Insulator color: Green
 Clamp: Brass, Nickel plated
 Female contact: Phosphor Bronze, Tin plated
 Screw: Steel, Zinc plated
 Electrical:
 Operation voltage: 300 VAC
 Current rating: 15 Amps
 Withstanding voltage: 1600 VAC for 1 minute
 Mechanical:
 Stranded wire: 12-24 Awg
 Solid wire: 12-24 Awg
 Environmental:
 Operating temperature: -40°C to +115°C
 Lead free, RoHS compliant.
 Recommended soldering temp: 235°C for 5 sec.



ADAM TECH
 909 Rahway Avenue, Union, NJ 07083
 Phone: 908-687-5000 Fax: 908-687-5710

TITLE: TERMINAL BLOCK, .200 [5.08] PITCH, PCB

UNLESS OTHERWISE SPECIFIED ALL DIMENSIONS ARE MM [INCHES] TOLERANCES: EXCEPT AS NOTED	
INCHES	HOLES
X .10 ± .10	ØXX ± .10
.XX ± .020	ØXXX ± .015
.XXX ± .015	ØXXXX ± .010
APPROVALS	DATE
DRAWN	DY
CHECKED	
APPROVED	

SIZE	PART NO.	REV.
X	EB118-XX-D-MF	-
REF:	S00007T	
SCALE:	NTS	
SHEET	1 OF 1	