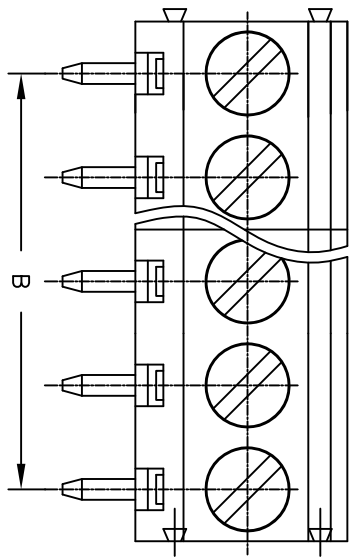
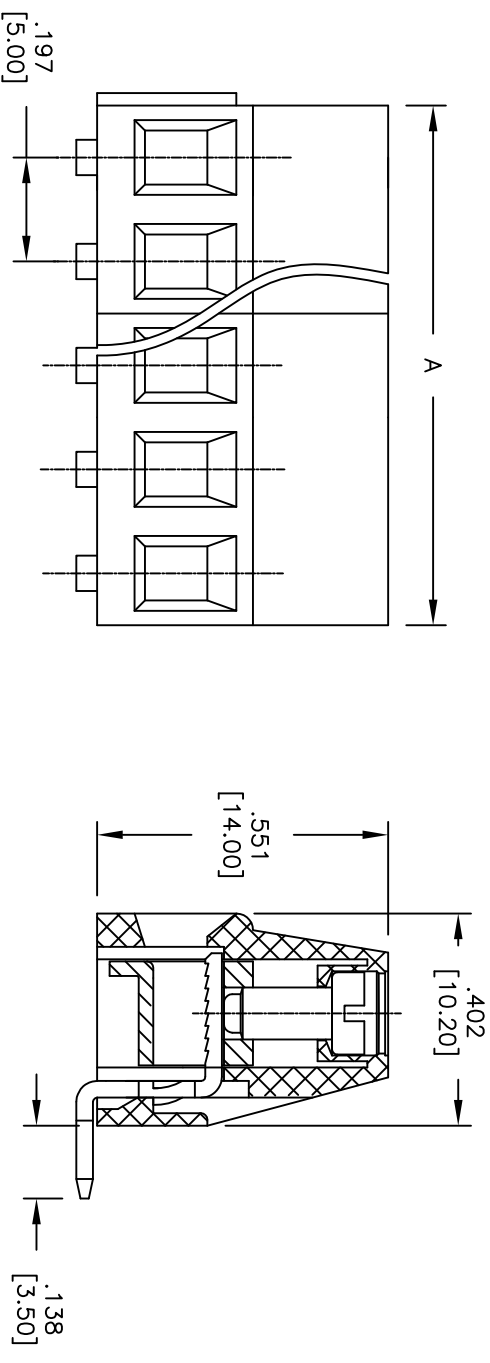


Rev	AWO #	Description	Date	Appr
-		RELEASED	11/04/09	

APPROVED: _____
 DATE: _____ TITLE: _____



SPECIFICATIONS:

Material:
 Insulator: Thermoplastic, rated UL 94V-0
 Insulator color: Green
 Contact: Copper, Tin plated.

Electrical:
 Operation voltage: 250 VAC max
 Current rating: 12 Amps max per Pole
 Insulation resistance: 500 Mohms min @ DC500V
 Dielectric withstanding voltage: 2000 VAC for 1 minute

Mechanical:
 Screw Torque: 0.4 Nm
 Suitable Electric Wire: 12-24 Awg.

Environmental:
 Operating temperature: -40°C to +120°C
 Lead free, RoHS compliant.
 Recommended soldering temp: 235°C for 5 sec.



A = .197 [5.00] X No. of Positions
 B = .197 [5.00] x No. of Spaces

UNLESS OTHERWISE SPECIFIED
 ALL DIMENSIONS ARE MM [INCHES]
 TOLERANCES: EXCEPT AS NOTED

.X	± .10	ØX	± .10
.XX	± .020	ØXXX	± .015
.XXX	± .015	ØXXXX	± .010

ADAM TECH
 909 Rahway Avenue, Union, NJ 07083
 Phone: 908-687-5000 Fax: 908-687-5710

TITLE: **TERMINAL BLOCK, PCB, .197" [5.00] PITCH**

DRAWN	DY	11/04/09
CHECKED		
APPROVED		

SIZE	PART NO.	REV.
X	EB110-XX-C	-
REF:	S00026C	SCALE: NTS
SHEET 1 OF 1		