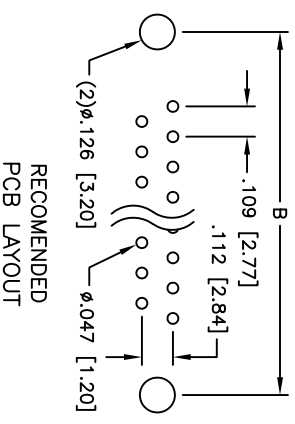
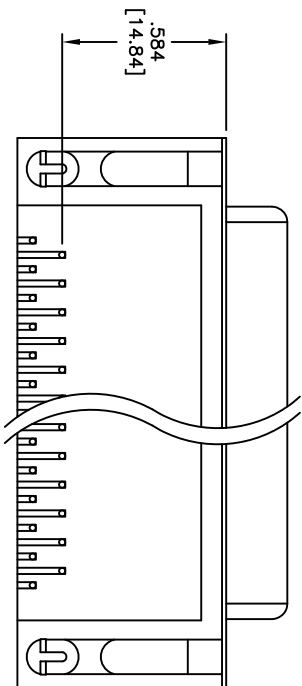
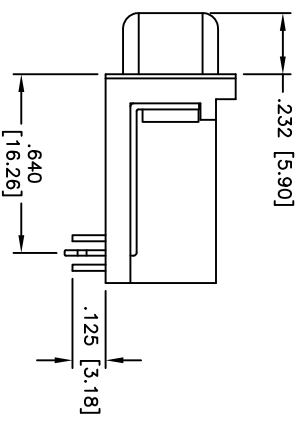
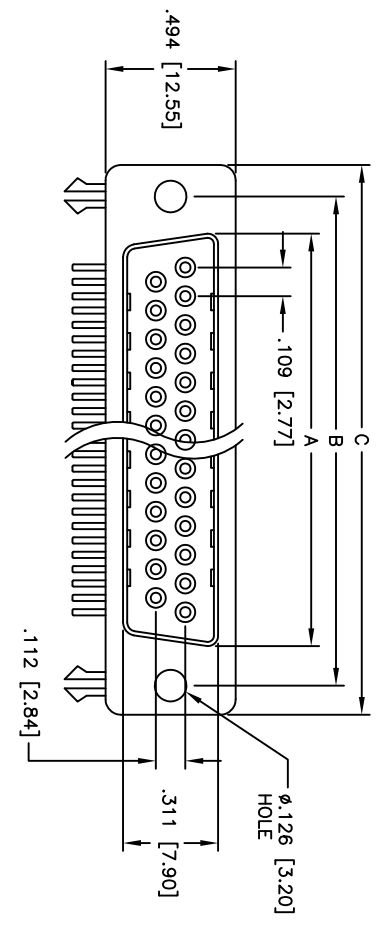


| | | | | |
|-----|-------|-------------|---------|------|
| Rev | AWO # | Description | Date | Appr |
| - | | RELEASED | 4/20/05 | |

APPROVED: _____
 DATE: _____ TITLE: _____



| Positions | DIMENSIONS | | |
|-----------|---------------|---------------|---------------|
| | A | B | C |
| 9 | .643 [16.33] | .984 [24.99] | 1.213 [30.81] |
| 15 | .971 [24.66] | 1.312 [33.32] | 1.541 [39.14] |
| 25 | 1.511 [38.38] | 1.852 [47.04] | 2.088 [53.04] |
| 37 | 2.159 [54.84] | 2.500 [63.50] | 2.729 [69.32] |

Unit: Inch / mm

RECOMMENDED
PCB LAYOUT

SPECIFICATIONS:

Material: Insulator: PBT, glass reinforced, rated UL 94V-0
 Insulator color: Black
 Contacts: Phosphor Bronze
 Shell: Steel, Tin plated
 Hardware: Brass, Nickel plated
 Plating:
 Gold flash over Nickel underplate overall

Electrical:

Operating voltage: 250 VAC max
 Current rating: 5 Amps max
 Contact resistance: 20 mohms max
 Insulation resistance: 5,000 Mohms min
 Dielectric withstanding voltage: 1,000 VAC for 1 minute
 Temperature Rating:
 Operating temperature: -65°C to +125°C
 Environmental:
 Lead free, RoHS compliant
 Recommended soldering temp: 235°C for 5 seconds

ADAM TECH

909 Railway Avenue, Union, NJ 07083
 Phone: 908-687-5000 Fax: 908-687-5710

TITLE: .591 [15.00] FOOTPRINT D-SUB SOCKET
 FORKED BOARDLOCKS, .120 [3.05] HOLES

| | |
|---|--------------|
| UNLESS OTHERWISE SPECIFIED ALL DIMENSIONS ARE INCHES [MM] TOLERANCES: EXCEPT AS NOTED | |
| INCHES | MM |
| .X ± .10 | ØXX ± .10 |
| .XX ± .020 | ØXXX ± .015 |
| .XXX ± .015 | ØXXXX ± .010 |
| APPROVALS | DATE |
| DRAWN | SS |
| CHECKED | 4/20/05 |
| APPROVED | |

| | | |
|------|-------------|--------------|
| SIZE | PART NO. | REV. |
| X | DXXX-SQ-R-6 | - |
| REF: | SCALE: NTS | SHEET 1 OF 1 |

