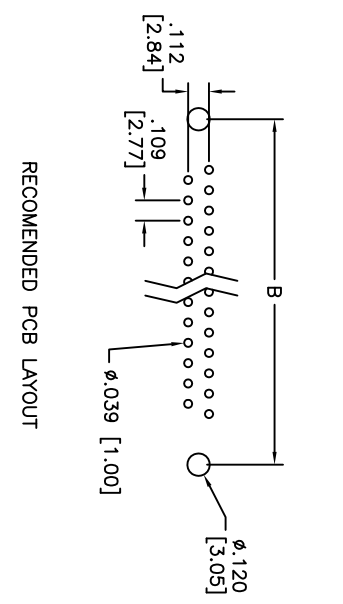
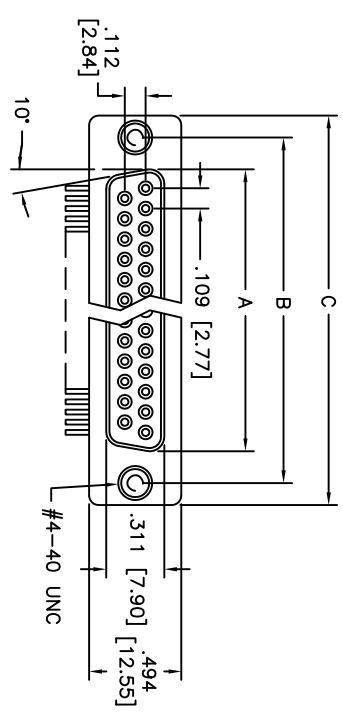
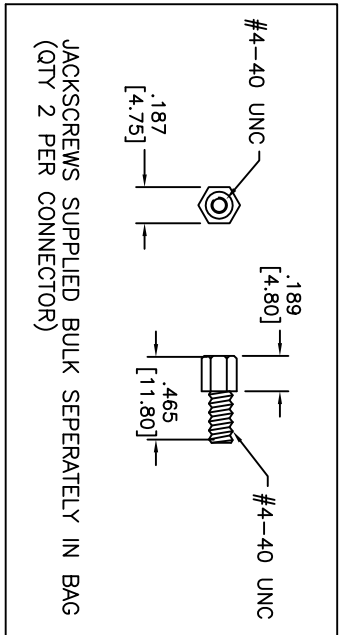
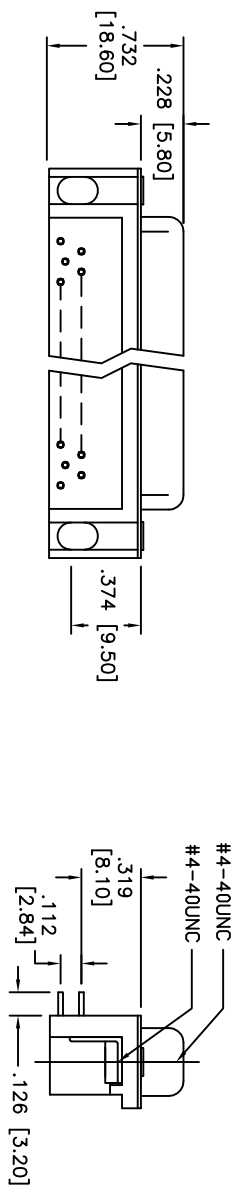


Rev	AWO #	Description	Date	Appr
-		RELEASED	11/17/09	

APPROVED: _____
 DATE: _____ TITLE: _____



RECOMMENDED PCB LAYOUT



Positions	DIMENSIONS		
	A	B	C
9	.643 [16.33]	.984 [24.99]	1.213 [30.81]
15	.972 [24.70]	1.311 [33.30]	1.543 [39.20]
25	1.512 [38.40]	1.852 [47.04]	2.089 [53.05]
37	2.157 [54.80]	2.500 [63.50]	2.732 [69.40]

Unit: Inch / mm

ADAM TECH

909 Rahway Avenue, Union, NJ 07083
 Phone: 908-687-5000 Fax: 908-687-5710

TITLE: D-SUB, RIGHT ANGLE FEMALE, PCB
 GOLD FLASH, LOOSE PACK JACKSCREWS

SIZE: X PART NO.: DXXX-SL-34-LPJ
 REF: S00087T SCALE: NTS SHEET 1 OF 1

SPECIFICATIONS:
 Material: Insulator: PBT, glass reinforced, rated UL 94V-0
 Insulator color: Black
 Contacts: Copper Alloy
 Shell: Steel, Tin plated
 Plating: Gold flash over Nickel underplate overall
 Electrical: Operating voltage: 250 VAC max
 Current rating: 3 Amps max
 Contact resistance: 20 mohms max
 Insulation resistance: 1000 Mohms min @ 500 VDC
 Dielectric withstanding voltage: 1000 VAC for 1 minute
 Temperature Rating: Operating temperature: -65°C to +125°C
 Environmental: Lead free, RoHS compliant.
 Recommended soldering temp: 235°C for 5 sec



UNLESS OTHERWISE SPECIFIED ALL DIMENSIONS ARE INCHES [MM]	
.X	± .10
.XX	± .020
.XXX	± .015
.XXX	± .010
APPROVALS	DATE
DRAWN	DY
CHECKED	
APPROVED	