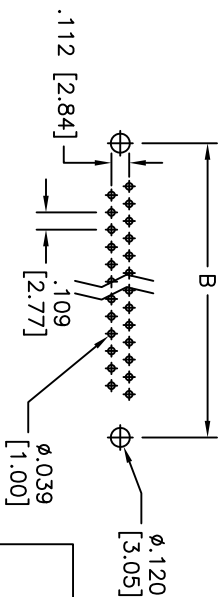
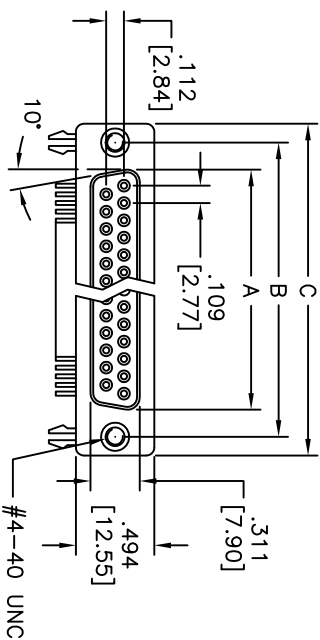
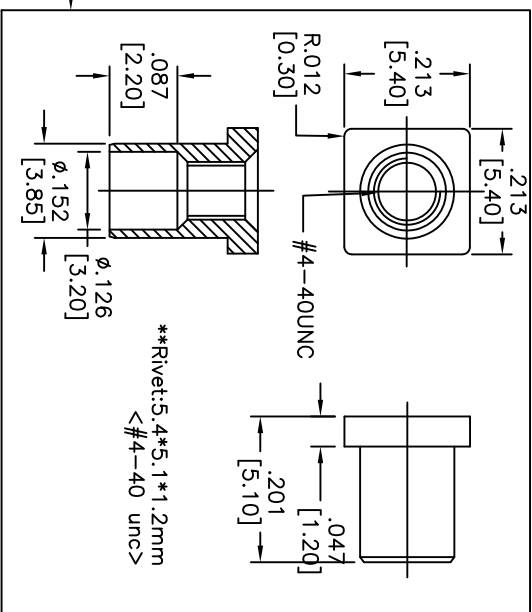
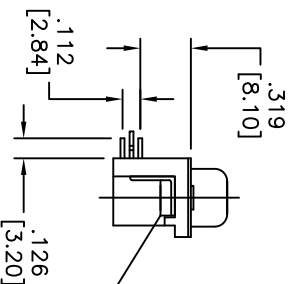
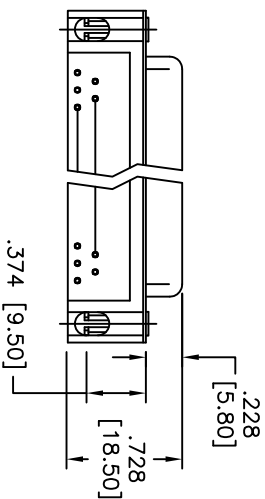


APPROVED: _____
 DATE: _____ TITLE: _____

Rev	AWO #	Description	Date	Appr
-		RELEASED	10/19/04	
A		REDRAWN	7/20/10	



RECOMMENDED PCB LAYOUT



**Rivet: 5.4*5.1*1.2mm
 <#4-40 unc>

DXXX	NO. OF CONTACTS	DIMENSIONS		
		A	B	C
DE09	9	.643 [16.33]	.984 [24.99]	1.213 [30.81]
DA15	15	.972 [24.70]	1.311 [33.30]	1.543 [39.20]
DB25	25	1.512 [38.40]	1.852 [47.04]	2.089 [53.05]
DC37	25	2.157 [54.80]	2.500 [63.50]	2.732 [69.40]

SPECIFICATIONS:
 Material: Insulator: PBT, glass reinforced, rated UL 94V-0
 Insulator color: Black
 Contacts: Copper Alloy
 Shell: Steel, Tin plated
 Hardware: Brass, Nickel plated
 Plating: Gold flash over Nickel underplate overall

Electrical:
 Operating voltage: 250 VAC max
 Current rating: 3 Amps max
 Contact resistance: 20 mohms max
 Insulation resistance: 1,000 Mohms min
 Dielectric withstanding voltage: 1,000 VAC for 1 minute

Temperature Rating:
 Operating temperature: -65°C to +125°C
 Environmental: Lead free, RoHS compliant
 Recommended soldering temp: 235°C for 5 seconds



ADAM TECH

909 Railway Avenue, Union, NJ 07083
 Phone: 908-687-5000 Fax: 908-687-5710

TITLE: D-SUB SOCKET, 318° FOOTPRINT, FORKED BOARD LOCKS, #4-40 FLUSH THREADED INSERTS

UNLESS OTHERWISE SPECIFIED ALL DIMENSIONS ARE INCHES [MM] TOLERANCES: EXCEPT AS NOTED INCHES		HOLE SIZES		DATE	
.X	± .10	ØXX	± .10		
.XX	± .020	ØXXX	± .015		
.XXX	± .015	ØXXXX	± .010		
APPROVALS		DATE		TITLE	
DRAWN	SS	10/19/04		D-SUB SOCKET, 318° FOOTPRINT, FORKED BOARD LOCKS, #4-40 FLUSH THREADED INSERTS	
CHECKED				Phone: 908-687-5000 Fax: 908-687-5710	
APPROVED				Part No. DXXX-SL-24	
				Scale: NTS	
				Sheet 1 of 1	