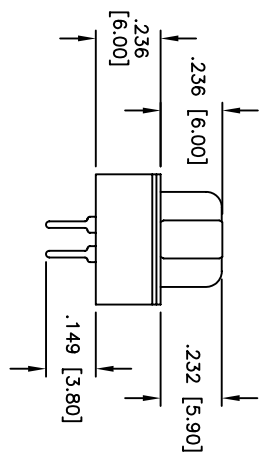
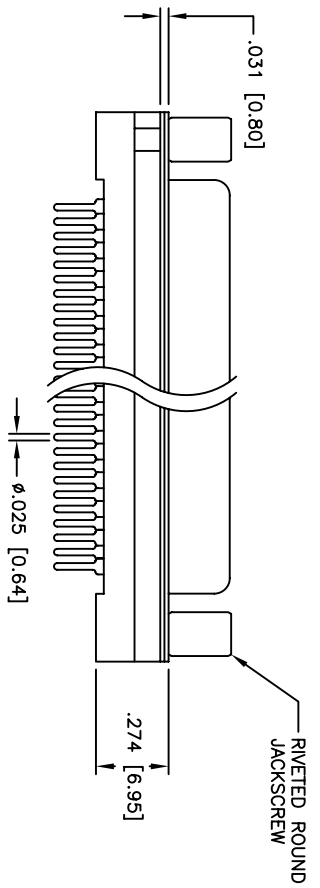
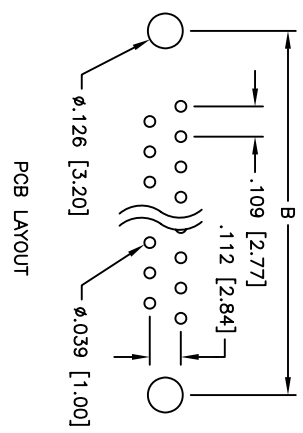
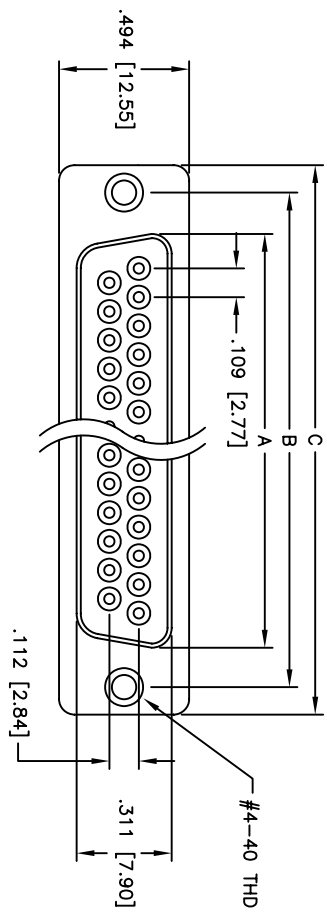


Rev	AWO #	Description	Date	Appr
-		RELEASED	7/24/06	

APPROVED: _____
 DATE: _____ TITLE: _____



Positions	SOCKET		DIMENSIONS	
	A	B	C	
9	.643 [16.33]	.984 [24.99]	1.213 [30.81]	
15	.971 [24.66]	1.312 [33.32]	1.541 [39.14]	
25	1.511 [38.38]	1.852 [47.04]	2.088 [53.04]	
37	2.159 [54.84]	2.500 [63.50]	2.729 [69.32]	

Unit: Inch / mm

SPECIFICATIONS:

Material: Insulator: PBT, glass reinforced, rated UL 94V-0
 Insulator color: Black
 Contacts: Phosphor Bronze
 Shell: Steel, Tin plated
 Hardware: Brass, Nickel plated
 Plating: Gold flash over Nickel underplate overall

Electrical: Operating voltage: 250 VAC max
 Current rating: 5 Amps max
 Contact resistance: 20 mohms max
 Insulation resistance: 5,000 Mohms min
 Dielectric withstanding voltage: 1,000 VAC for 1 minute
 Temperature Rating: Operating temperature: -65°C to +125°C
 Environmental: Lead free, RoHS compliant
 Recommended soldering temp: 235°C for 5 seconds



UNLESS OTHERWISE SPECIFIED ALL DIMENSIONS ARE INCHES [MM] TOLERANCES: EXCEPT AS NOTED	
INCHES	HOLDERS
.X ± .10	ØXX ± .10
.XX ± .020	ØXXX ± .015
.XXX ± .015	ØXXXX ± .010
APPROVALS	DATE
DRAWN	SLS
CHECKED	
APPROVED	

ADAM TECH
 909 Railway Avenue, Union, NJ 07083
 Phone: 908-687-5000 Fax: 908-687-5710

TITLE: D-SUB SOCKET, FLUSH MOUNT, #4-40 RIVETED ROUND JACKSCREW

SIZE: X PART NO.: DXXX-SA-M2-JS-R

SCALE: NTS SHEET 1 OF 1