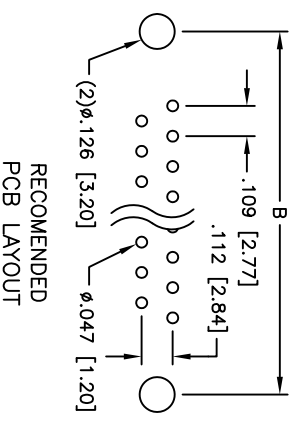
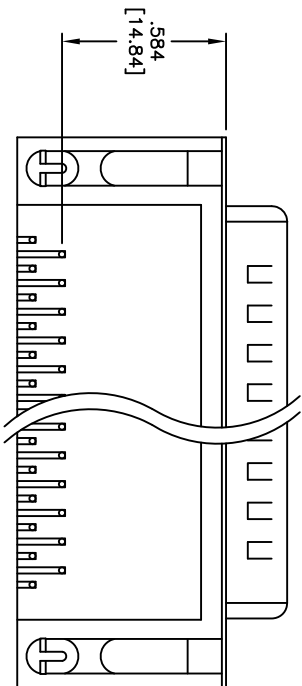
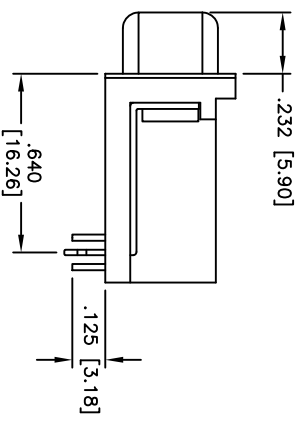
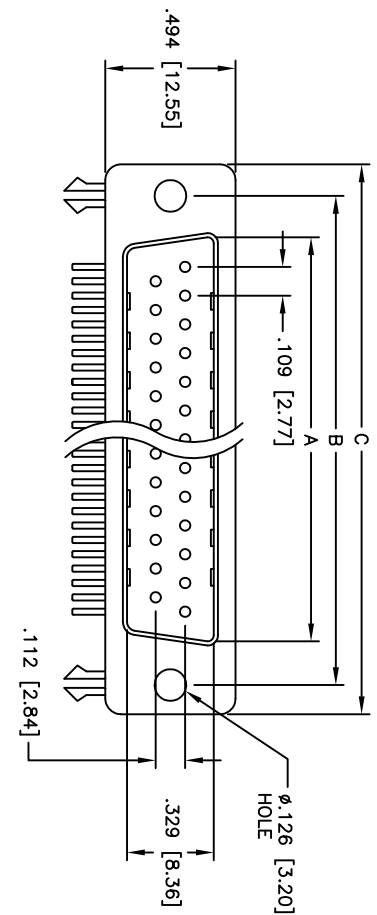


Rev	AWO #	Description	Date	Appr
-		RELEASED	4/20/05	

APPROVED: _____
 DATE: _____ TITLE: _____



Positions	DIMENSIONS		
	A	B	C
9	.666 [16.92]	.984 [24.99]	1.213 [30.81]
15	.994 [25.25]	1.312 [33.32]	1.541 [39.14]
25	1.534 [38.96]	1.852 [47.04]	2.088 [53.04]
37	2.182 [55.43]	2.500 [63.50]	2.729 [69.32]

Unit: Inch / mm

SPECIFICATIONS:
 Material: Insulator: PBT, glass reinforced, rated UL 94V-0
 Insulator color: Black
 Contacts: Phosphor Bronze
 Shell: Steel, Tin plated
 Hardware: Brass, Nickel plated
 Plating: Gold flash over Nickel underplate overall
Electrical:
 Operating voltage: 250 VAC max
 Current rating: 5 Amps max
 Contact resistance: 20 mohms max
 Insulation resistance: 5,000 Mohms min
 Dielectric withstanding voltage: 1,000 VAC for 1 minute
Temperature Rating:
 Operating temperature: -65°C to +125°C
Environmental:
 Lead free, RoHS compliant
 Recommended soldering temp: 235°C for 5 seconds



UNLESS OTHERWISE SPECIFIED ALL DIMENSIONS ARE INCHES [MM] TOLERANCES: EXCEPT AS NOTED	
.X	± .10
.XX	± .020
.XXX	± .015
.XXX	± .010
APPROVALS	DATE
DRAWN	SS
CHECKED	
APPROVED	

ADAM TECH
 909 Rahway Avenue, Union, NJ 07083
 Phone: 908-687-5000 Fax: 908-687-5710

TITLE: .591 [15.00] FOOTPRINT D-SUB PLUG
 FORKED BOARDLOCKS, .120 [3.05] HOLES

SIZE: PART NO.: DXXX+PQ-R6
 SCALE: NTS SHEET 1 OF 1