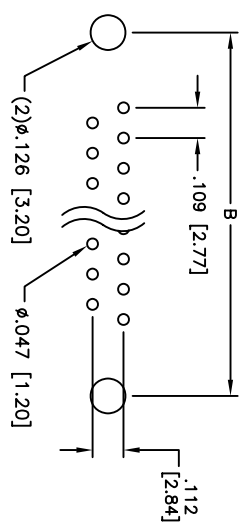
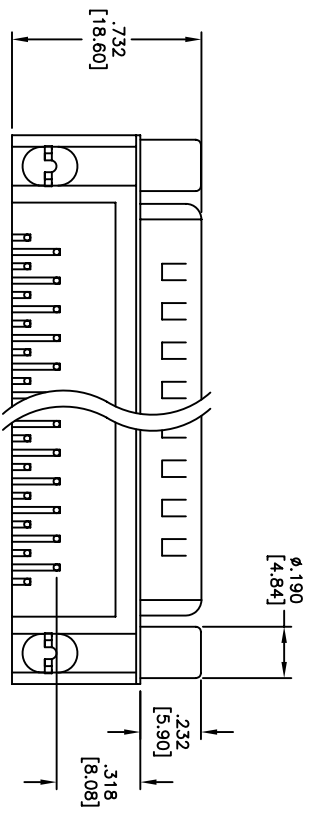
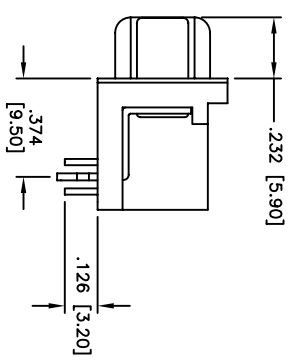
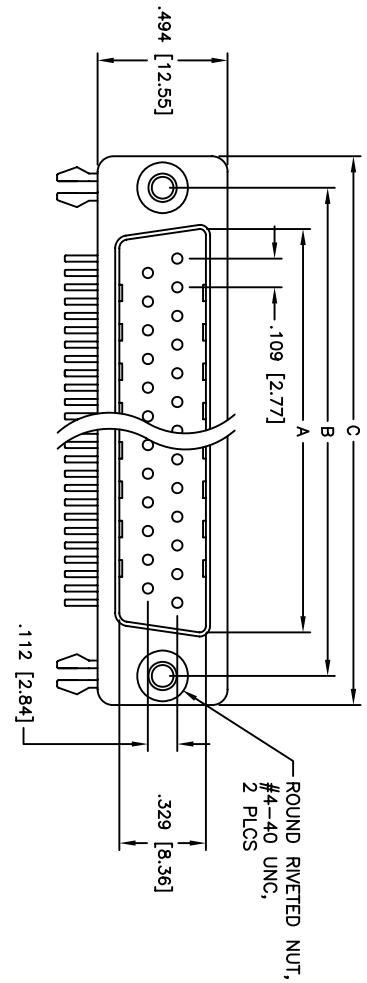


Rev	AWO #	Description	Date	Appr
-		RELEASED	9/19/06	

APPROVED: _____
 DATE: _____ TITLE: _____



Unit: Inch / mm

SPECIFICATIONS:

- Material: Insulator: PBT, glass reinforced, rated UL 94V-0
- Contacts: Copper Alloy
- Shell: Steel, Tin plated
- Boardlock: Brass, Tin plated
- Hardware: Brass, Nickel plated
- Plating: Gold flash over Nickel underplate overall
- Electrical: Operating voltage: 250 VAC max
- Current rating: 5 Amps max
- Contact resistance: 20 mohms max
- Insulation resistance: 1,000 Mohms min
- Dielectric withstanding voltage: 1,000 VAC for 1 minute
- Temperature Rating: Operating temperature: -65°C to +125°C
- Environmental: Lead free, RoHS compliant
- Recommended soldering temp: 235°C for 5 seconds

Positions	DIMENSIONS		
	A	B	C
9	.666 [16.92]	.984 [24.99]	1.213 [30.81]
15	.994 [25.25]	1.312 [33.32]	1.541 [39.14]
25	1.534 [38.96]	1.852 [47.04]	2.088 [53.04]
37	2.182 [55.43]	2.500 [63.50]	2.729 [69.32]

ADAM TECH

909 Rahway Avenue, Union, NJ 07083
 Phone: 908-687-5000 Fax: 908-687-5710

TITLE: .318 [8.08] FOOTPRINT D-SUB PLUG
 FORKED BL, #4-40 RIVETED ROUND NUT

UNLESS OTHERWISE SPECIFIED ALL DIMENSIONS ARE INCHES [MM] TOLERANCES: EXCEPT AS NOTED		DRAWN: SS		DATE: 9/19/06	
INCHES: .X ±.10 .XX ±.020 .XXX ±.015 .XXX ±.015		HOLES: ØX ±.10 ØXX ±.015 ØXXX ±.010		APPROVALS:	
CHECKED	APPROVED	SIZE: X	PART NO.: DXXX-PL-27-R	REV.	
		SCALE: NTS	SHEET 1 OF 1		