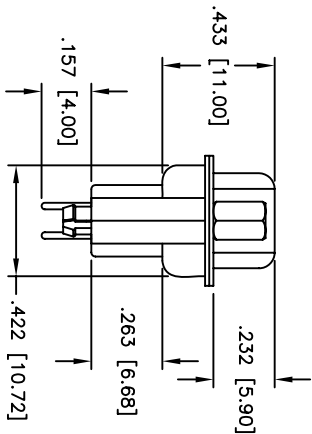
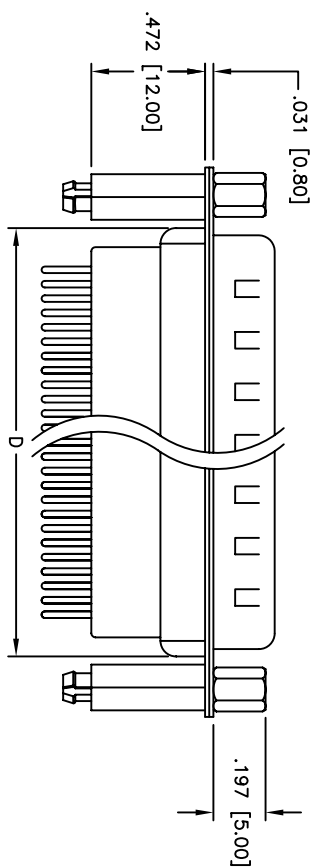
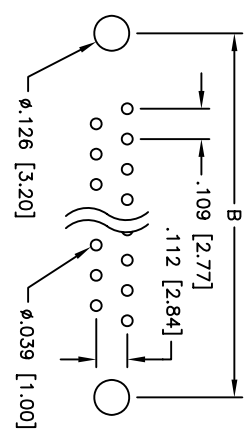
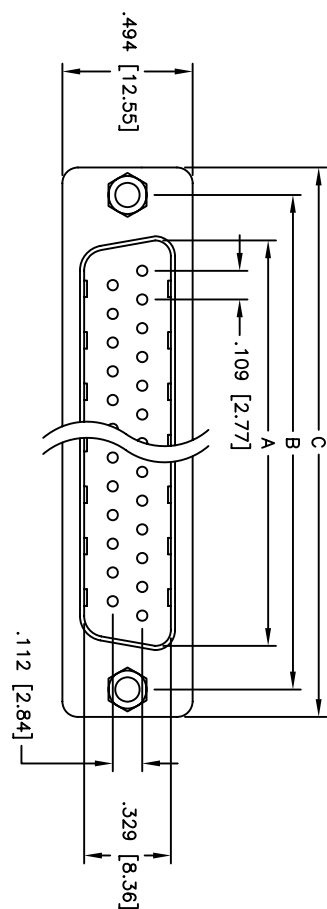


APPROVED: _____
 DATE: _____ TITLE: _____

Rev	AWO #	Description	Date	Appr
-		RELEASED	4/15/05	
A		CHART UPDATE	4/26/06	



Unit: Inch / mm

SPECIFICATIONS:

Material:
 Insulator: PBT, glass reinforced, rated UL 94V-0
 Insulator color: Black
 Contacts: Phosphor Bronze
 Shell: Steel, Tin plated
 Hardware: Brass, Nickel plated
 Plating:
 Gold flash over Nickel underplate overall
Electrical:
 Operating voltage: 250 VAC max
 Current rating: 5 Amps max
 Contact resistance: 20 mohms max
 Insulation resistance: 5,000 Mohms min
 Dielectric withstanding voltage: 1,000 VAC for 1 minute
 Temperature Rating:
 Operating temperature: -65°C to +125°C
Environmental:
 Lead free, RoHS compliant
 Recommended soldering temp: 235°C for 5 seconds

Positions	DIMENSIONS			
	A	B	C	D
9	.666 [16.92]	.984 [24.99]	1.213 [30.81]	.756 [19.20]
15	.994 [25.25]	1.312 [33.32]	1.541 [39.14]	1.091 [27.70]
25	1.534 [38.96]	1.852 [47.04]	2.088 [53.04]	1.618 [41.10]
37	2.182 [55.43]	2.500 [63.50]	2.729 [69.32]	2.256 [57.30]

UNLESS OTHERWISE SPECIFIED
 ALL DIMENSIONS ARE INCHES [MM]
 TOLERANCES: EXCEPT AS NOTED
 INCHES Holes
 .X ± .10 ØX ± .10
 .XX ± .020 ØXX ± .015
 .XXX ± .015 ØXXX ± .010
 APPROVALS DATE

DRAWN	SS	4/15/05
CHECKED		
APPROVED		

ADAM TECH

909 Rahway Avenue, Union, NJ 07083
 Phone: 908-687-5000 Fax: 908-687-5710

TITLE: D-SUB PLUG, HIGH PROFILE, RIVETED #4-40 JACKSCREWS & STANDOFFS W/BOARDLOCKS
 SIZE: X PART NO.: DXXX+PE-1-BL-JS
 SCALE: NTS SHEET 1 OF 1