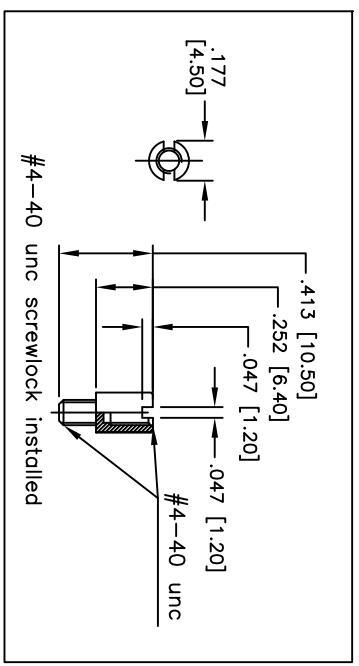
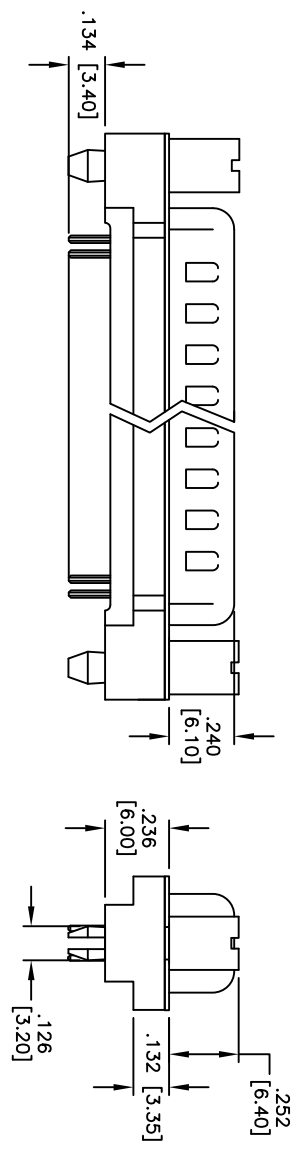
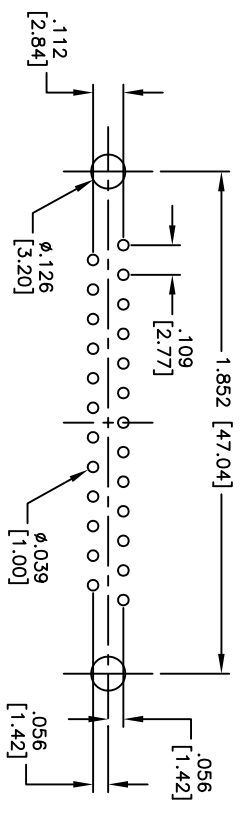
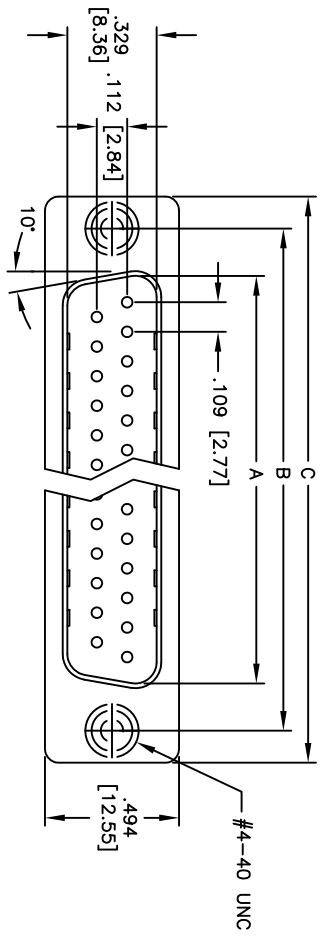


APPROVED: _____
 DATE: _____ TITLE: _____



SPECIFICATIONS:

Material:
 Insulator: PBT, glass reinforced, rated UL 94V-0
 Insulator color: Black
Contacts: Copper Alloy
 Shell: Steel, Tin plated
 Hardware: Brass, Nickel plated
 Plating:
 Gold flash over Nickel underplate overall
Electrical:
 Operating voltage: 250 VAC max
 Current rating: 3 Amps max
 Contact resistance: 20 mohms max
 Insulation resistance: 1,000 Mohms min
 Dielectric withstanding voltage: 1,000 VAC for 1 minute
 Temperature Rating:
 Operating temperature: -65°C to +125°C
 Environmental:
 Lead free, RoHS compliant
 Recommended soldering temp: 235°C for 5 seconds

Positions	DIMENSIONS		
	A	B	C
9	.666 [16.92]	.984 [24.99]	1.213 [30.81]
15	.994 [25.25]	1.311 [33.30]	1.543 [39.20]
25	1.534 [38.96]	1.852 [47.04]	2.089 [53.05]
37	2.182 [55.42]	2.500 [63.50]	2.732 [69.40]

UNLESS OTHERWISE SPECIFIED
 ALL DIMENSIONS ARE INCHES [MM]
 TOLERANCES: EXCEPT AS NOTED
 INCHES Holes ±.10
 .X ±.10 ØX ±.10
 .XX ±.020 ØXX ±.015
 .XXX ±.015 ØXXX ±.010
 APPROVALS DATE

ADAM TECH
 909 Rahway Avenue, Union, NJ 07083
 Phone: 908-687-5000 Fax: 908-687-5710

DRAWN	DY	2/12/10	TITLE	D-SUB PLUG, FLUSH MOUNT, STRAIGHT, PCB RIVETED ROUND JACKSCREWS W/ BOARDLOCK
CHECKED			SIZE	DXXX+PA-M2-R-BL
APPROVED			REF:	S00087T