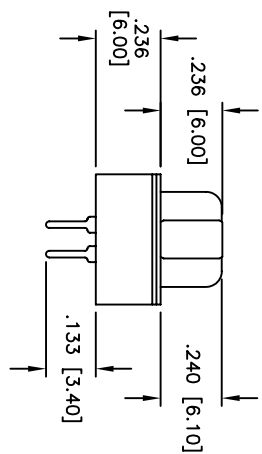
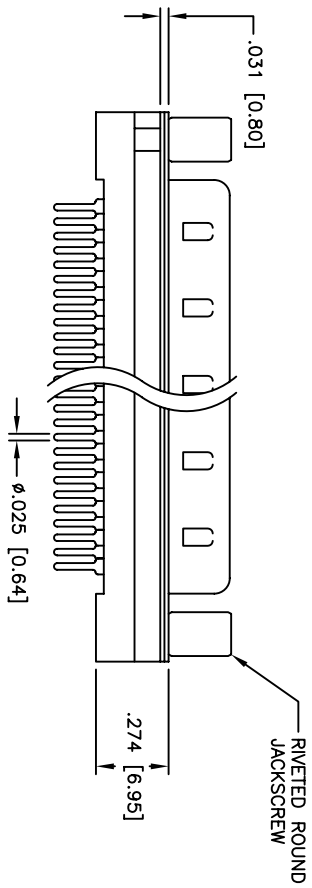
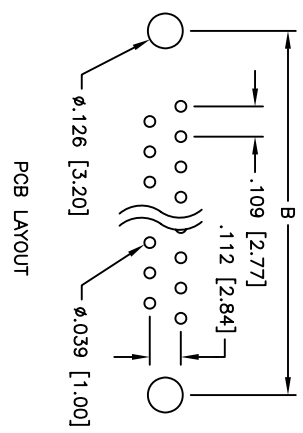
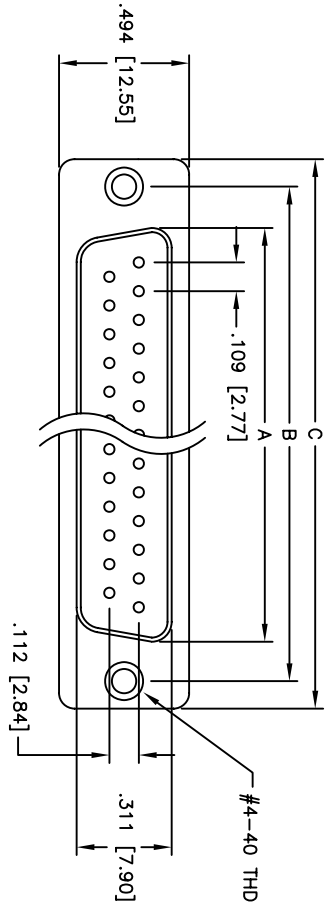


Rev	AWO #	Description	Date	Appr
-		RELEASED	7/24/06	

APPROVED: \_\_\_\_\_  
 DATE: \_\_\_\_\_ TITLE: \_\_\_\_\_



Positions	PLUG DIMENSIONS		
	A	B	C
9	.666 [16.92]	.984 [24.99]	1.213 [30.81]
15	.994 [25.25]	1.312 [33.32]	1.541 [39.14]
25	1.534 [38.96]	1.852 [47.04]	2.088 [53.04]
37	2.181 [55.42]	2.500 [63.50]	2.729 [69.32]

Unit: Inch / mm

**SPECIFICATIONS:**

Material: Insulator: PBT, glass reinforced, rated UL 94V-0  
 Insulator color: Black  
 Contacts: Phosphor Bronze  
 Shell: Steel, Tin plated  
 Hardware: Brass, Nickel plated  
 Plating: Gold flash over Nickel underplate overall

Electrical: Operating voltage: 250 VAC max  
 Current rating: 5 Amps max  
 Contact resistance: 20 mohms max  
 Insulation resistance: 5,000 Mohms min  
 Dielectric withstanding voltage: 1,000 VAC for 1 minute  
 Temperature Rating: Operating temperature: -65°C to +125°C  
 Environmental: Lead free, RoHS compliant  
 Recommended soldering temp: 235°C for 5 seconds



**ADAM TECH**

909 Railway Avenue, Union, NJ 07083  
 Phone: 908-687-5000 Fax: 908-687-5710

TITLE: D-SUB PLUG; FLUSH MOUNT, #4-40  
 RIVETED ROUND JACKSCREW

UNLESS OTHERWISE SPECIFIED ALL DIMENSIONS ARE INCHES [MM] TOLERANCES: EXCEPT AS NOTED		DRAWN: SLS		DATE: 7/24/06	
INCHES: .X ±.10 .XX ±.020 .XXX ±.015 XXX ±.010		HOLDS: ØX ±.10 ØXX ±.015 ØXXX ±.010		DATE: 7/24/06	
CHECKED	APPROVALS	SIZE	PART NO.	SCALE	REV.
APPROVED		X	DXXX+PA-M2-JS-R	NTS	1