

6

5

4

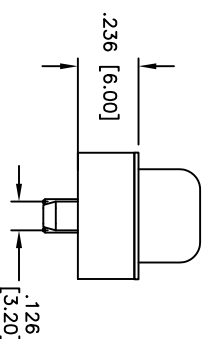
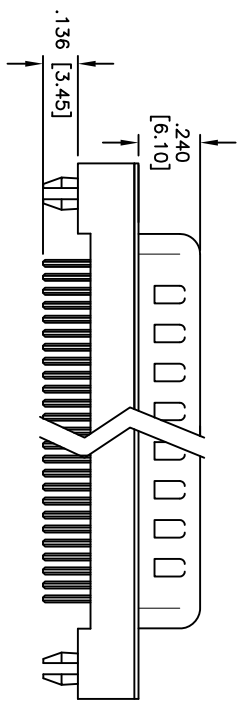
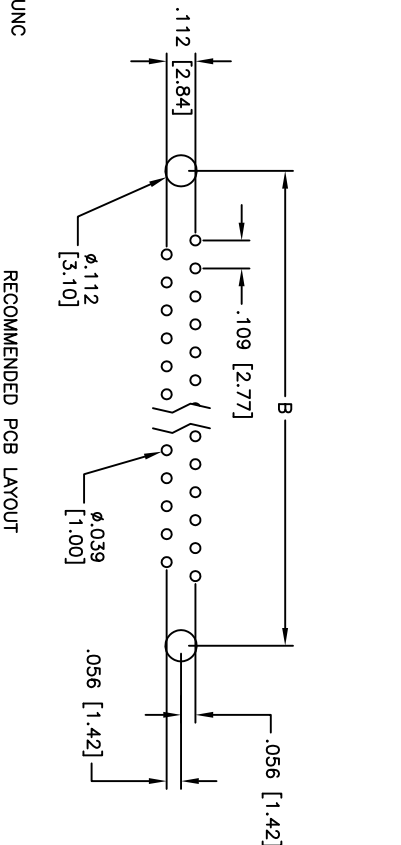
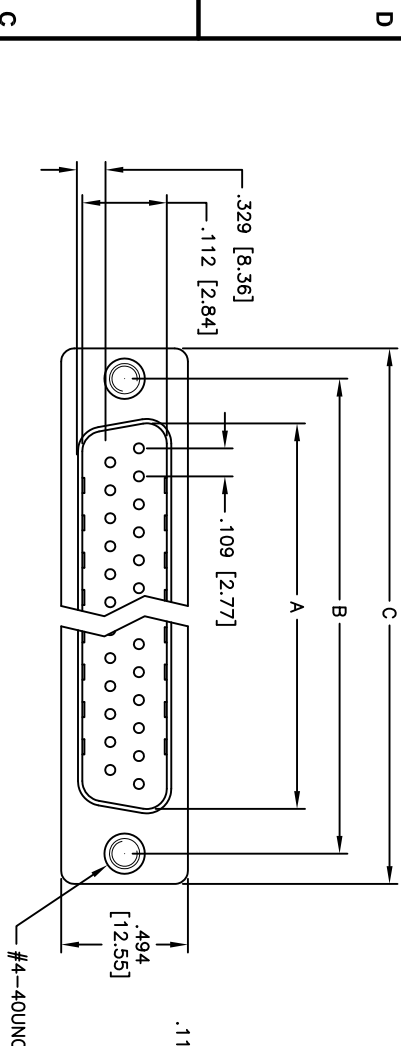
3

2

1

APPROVED: \_\_\_\_\_  
 DATE: \_\_\_\_\_ TITLE: \_\_\_\_\_

Rev	AWO #	Description	Date	Appr
-		RELEASED	10/12/06	
A	9472	REDRAWN	4/14/09	



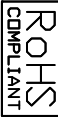
Positions	DIMENSIONS		
	A	B	C
9	.666 [16.92]	.984 [24.99]	1.213 [30.81]
15	.994 [25.25]	1.311 [33.30]	1.543 [39.20]
25	1.534 [38.96]	1.852 [47.04]	2.089 [53.05]
37	2.182 [55.42]	2.500 [63.50]	2.732 [69.40]

**SPECIFICATIONS:**

Material: Insulator: PBT, glass reinforced, rated UL 94V-0  
 Insulator color: Black  
 Contacts: Copper Alloy  
 Shell: Steel, Tin plated  
 Hardware: Brass, Nickel plated  
 Plating: Gold flash over Nickel underplate overall

**Electrical:**

Operating voltage: 250 VAC max  
 Current rating: 1 Amps max  
 Contact resistance: 20 mohms max  
 Insulation resistance: 1,000 Mohms min  
 Dielectric withstanding voltage: 1,000 VAC for 1 minute  
 Temperature Rating: Operating temperature: -55°C to +105°C  
 Environmental: Lead free, RoHS compliant  
 Recommended soldering temp: 235°C for 5 seconds



UNLESS OTHERWISE SPECIFIED  
 ALL DIMENSIONS ARE INCHES [MM]  
 TOLERANCES: EXCEPT AS NOTED  
 INCHES Holes ±.10  
 .XX ±.020 ØXXX ±.015  
 .XXX ±.015 ØXXX ±.010  
 APPROVALS DATE

**ADAM TECH**  
 909 Railway Avenue, Union, NJ 07083  
 Phone: 908-687-5000 Fax: 908-687-5710

DRAWN		DATE		TITLE	
BW		10/12/06		D-SUB PLUG; FLUSH MOUNT	
CHECKED				#4-40 THREADED FLUSH INSERTS	
APPROVED				SIZE	PART NO.
				X	DXXX-PA-M2-BL
				REF:	S00087T
				SCALE:	NIS
				SHEET:	1 OF 1
				REV:	A

6

5

4

3

2

1