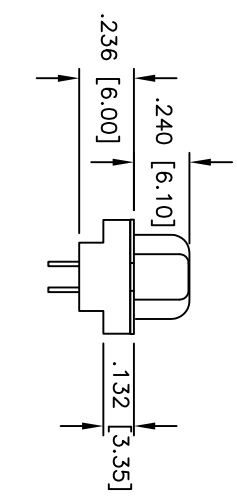
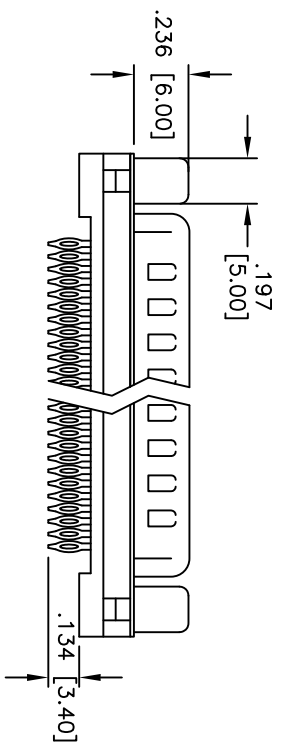
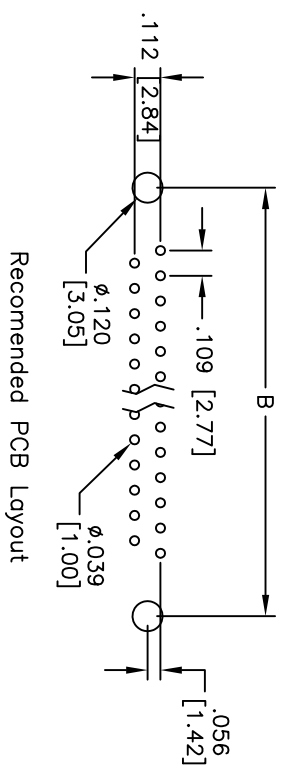
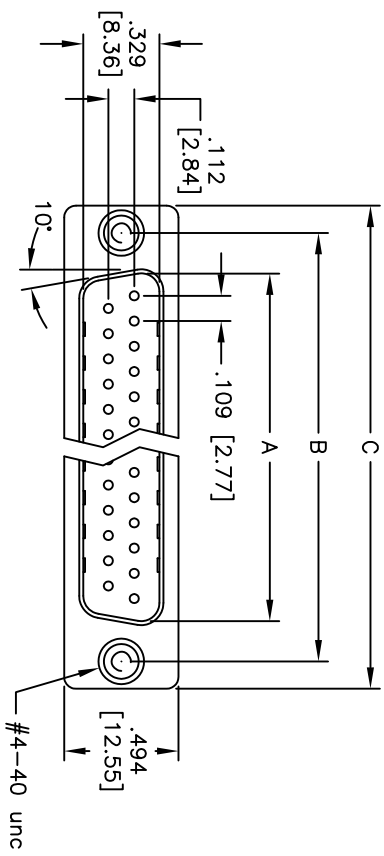


Rev	AWO #	Description	Date	Appr
-		RELEASED	8/28/09	

APPROVED: _____
 DATE: _____ TITLE: _____



DXXX	NO. OF CONTACTS	DIMENSIONS		
		A	B	C
DE09	9	.666 [16.92]	.984 [24.99]	1.213 [30.81]
DA15	15	.994 [25.25]	1.311 [33.30]	1.543 [39.20]
DB25	25	1.573 [38.96]	1.852 [47.04]	2.089 [53.05]
DC37	37	2.182 [55.42]	2.500 [63.50]	2.732 [69.40]

SPECIFICATIONS:

Material: Insulator: PBT, glass reinforced, rated UL 94V-0
 Insulator color: Black
 Contacts: Phosphor Bronze
 Shell: Steel, Tin plated
 Hardware: Brass, Nickel plated
 Plating: Gold flash over Nickel underplate on contact area, Tin over Copper underplate on tails.
 Electrical:
 Operating voltage: 250 VAC max
 Current rating: 3 Amps max
 Contact resistance: 20 mohms max
 Insulation resistance: 1,000 Mohms min
 Dielectric withstanding voltage: 1,000 VAC for 1 minute
 Temperature Rating:
 Operating temperature: -65°C to +125°C
 Environmental:
 Lead free, ROHS compliant
 Recommended soldering temp: 235°C for 5 seconds



ADAM TECH

909 Rahway Avenue, Union, NJ 07083
 Phone: 908-687-5000 Fax: 908-687-5710

UNLESS OTHERWISE SPECIFIED ALL DIMENSIONS ARE INCHES [MM]		TOLERANCES: EXCEPT AS NOTED	
INCHES		HOLDS	
.X	± .10	ØX	± .10
.XX	± .020	ØXX	± .015
.XXX	± .015	ØXXX	± .010
APPROVALS	DATE	TITLE	
DRAWN DY	8/28/09	D-SUB PLUG, FLUSH MOUNT, PRESS FIT	
CHECKED		TOP SIDE RIVETED #4-40 ROUND JACKSCREWS	
APPROVED		SIZE X	PART NO. DXXX-PA-M2-JS-R-PF
		REF: S00087T	SCALE: NTS