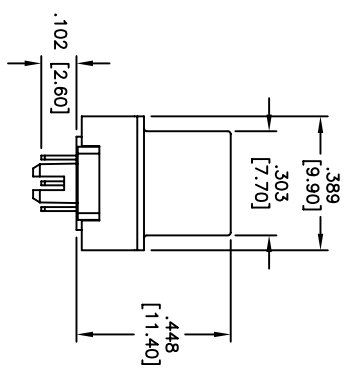
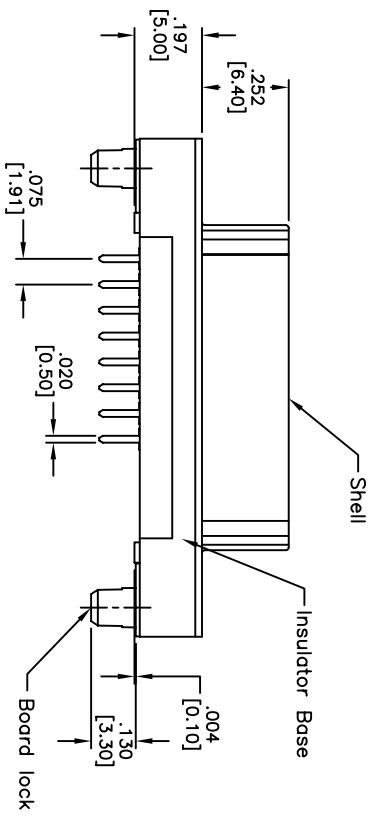
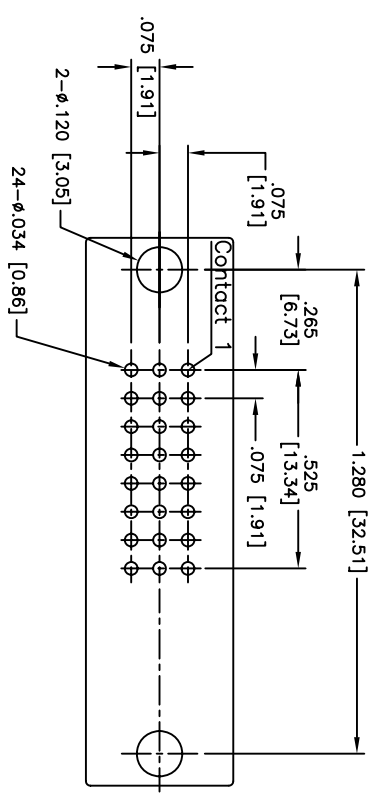
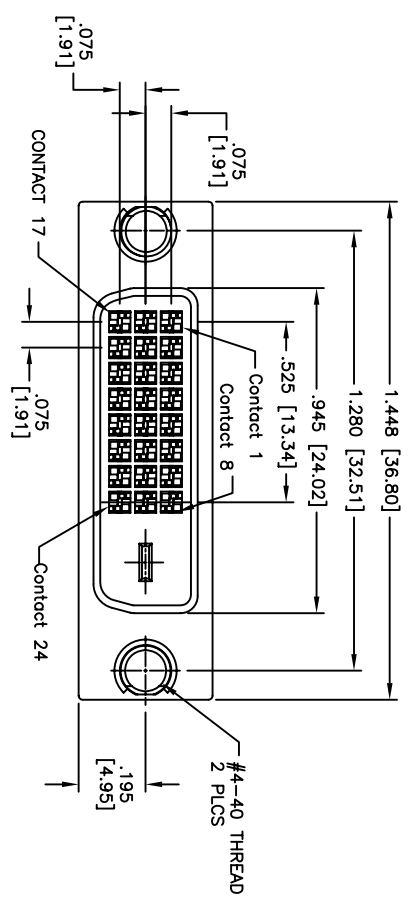


APPROVED: \_\_\_\_\_  
 DATE: \_\_\_\_\_ TITLE: \_\_\_\_\_

| Rev | AWO # | Description | Date    | Appr |
|-----|-------|-------------|---------|------|
| -   |       | RELEASED    | 5/11/05 |      |
| A   |       | REDRAWN     | 6/27/08 |      |



RECOMMENDED  
 PCB LAYOUT

**SPECIFICATIONS:**

**Material:**  
 Insulator: PBT, glass reinforced, rated UL 94V-0  
 Insulator color: White  
 Contacts: Phosphor Bronze  
 Shell: Steel, Nickel plated  
 Plating:

Gold flash over Nickel underplate on mating area,  
 Tin over Copper underplate on tails

**Electrical:**

Operating voltage: 250 VAC max  
 Current rating: 1.5 Amps max  
 Contact resistance: 20 mohms max  
 Insulation resistance: 1,000 Mohms min  
 Dielectric withstanding voltage: 500 VAC for 1 minute  
 Temperature Rating:  
 Operating temperature: -20°C to +80°C  
 Environmental:  
 Lead free, RoHS compliant  
 Recommended soldering temp: 235°C for 5 seconds



**ADAM TECH**

909 Rahway Avenue, Union, NJ 07083  
 Phone: 908-687-5000 Fax: 908-687-5710

TITLE: DIGITAL VIDEO INTERFACE SOCKET  
 STRAIGHT PCB TAILS, DIGITAL

|   |              |
|---|--------------|
| UNLESS OTHERWISE SPECIFIED<br>ALL DIMENSIONS ARE IN INCHES [MM] |              |
| TOLERANCES: EXCEPT AS NOTED                                     |              |
| INCHES  | HOLDS        |
| .X ± .10  | ØXX ± .10    |
| .XX ± .020  | ØXXX ± .015  |
| .XXX ± .015   | ØXXXX ± .010 |
| APPROVALS   | DATE         |
| DRAWN SS  | 5/11/05      |
| CHECKED   |              |
| APPROVED  |              |

|      |             |              |
|------|-------------|--------------|
| SIZE | PART NO.    | REV.         |
| X    | DV1-ST-24-1 | A            |
| REF: | SCALE: NTS  | SHEET 1 OF 1 |