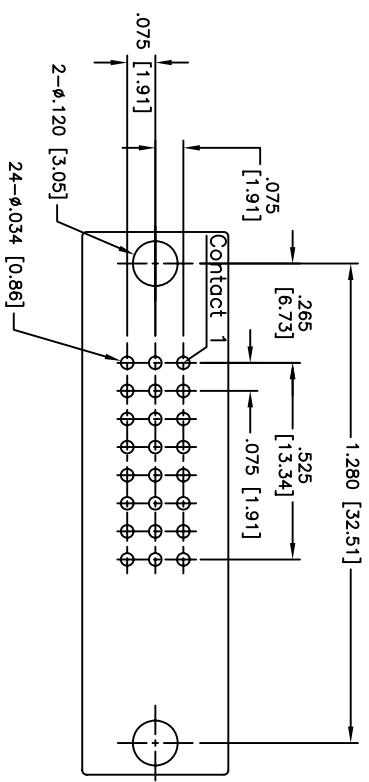
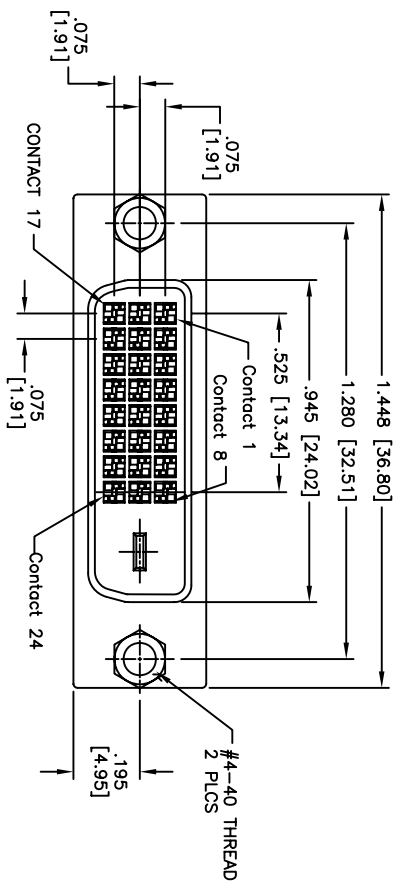
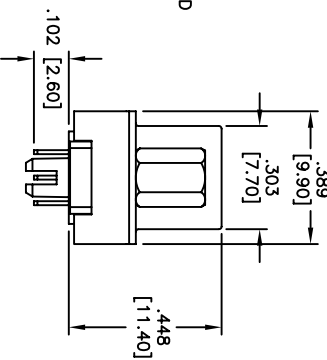
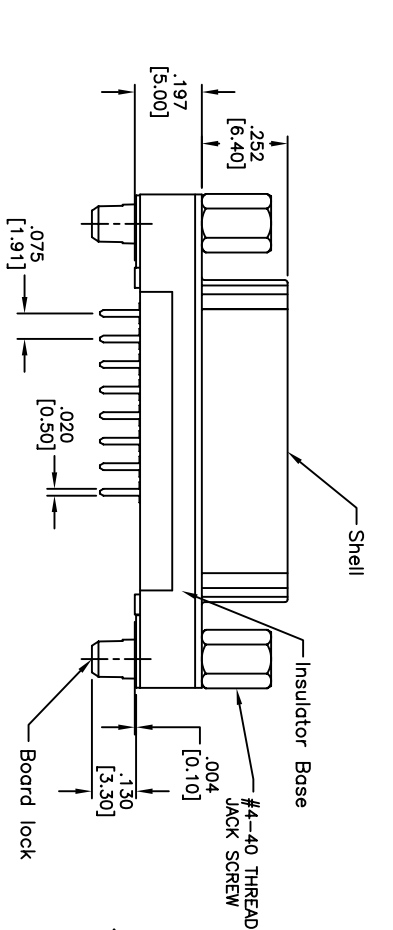


APPROVED: _____	DATE: _____	TITLE: _____		
Rev	AWO #	Description	Date	Appr
-		RELEASED	5/11/05	
A		REDRAWN	6/27/08	



RECOMMENDED
PCB LAYOUT



SPECIFICATIONS:

Material:
 Insulator: PBT, glass reinforced, rated UL 94V-0
 Insulator color: White
 Contacts: Phosphor Bronze
 Shell: Steel, Nickel plated
 Plating:
 Gold flash over Nickel underplate on mating area,
 Tin over Copper underplate on tails
 Electrical:
 Operating voltage: 250 VAC max
 Current rating: 1.5 Amps max
 Contact resistance: 20 mohms max
 Insulation resistance: 1,000 Mohms min
 Dielectric withstanding voltage: 500 VAC for 1 minute
 Temperature Rating:
 Operating temperature: -20°C to +80°C
 Environmental:
 Lead free, RoHS compliant
 Recommended soldering temp: 235°C for 5 seconds



ADAM TECH

909 Railway Avenue, Union, NJ 07083
 Phone: 908-687-5000 Fax: 908-687-5710

TITLE: DIGITAL VIDEO INTERFACE SOCKET
 STRAIGHT PCB TAILS, DIGITAL

UNLESS OTHERWISE SPECIFIED ALL DIMENSIONS ARE INCHES [MM] TOLERANCES: EXCEPT AS NOTED INCHES HOLES .X ±.10 .XX ±.020 .XXX ±.015		DATE	
APPROVALS		DATE	
DRAWN	SS	5/11/05	
CHECKED			
APPROVED			
SIZE	PART NO.	TITLE	
X	DVI-ST-24-1-JS	DIGITAL VIDEO INTERFACE SOCKET STRAIGHT PCB TAILS, DIGITAL	
REF:	SCALE: NTS	SHEET 1 OF 1	