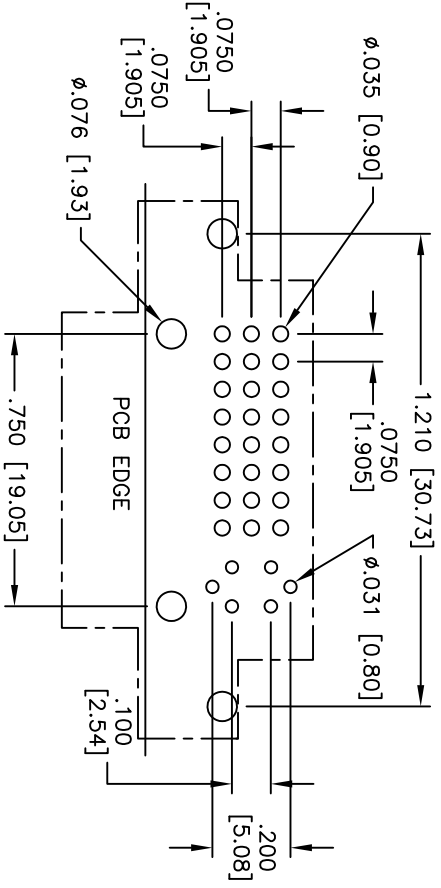
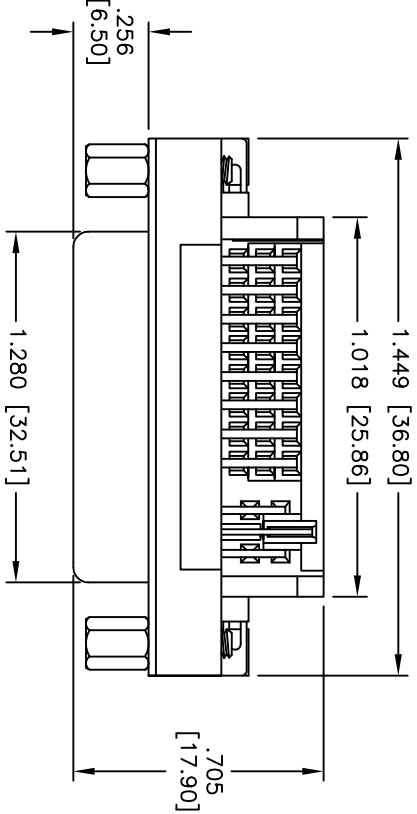
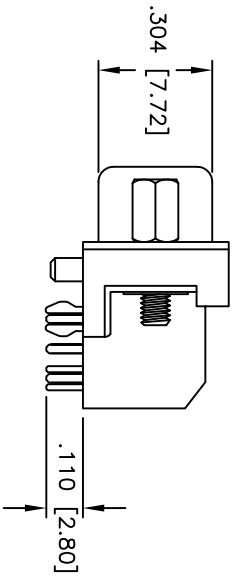
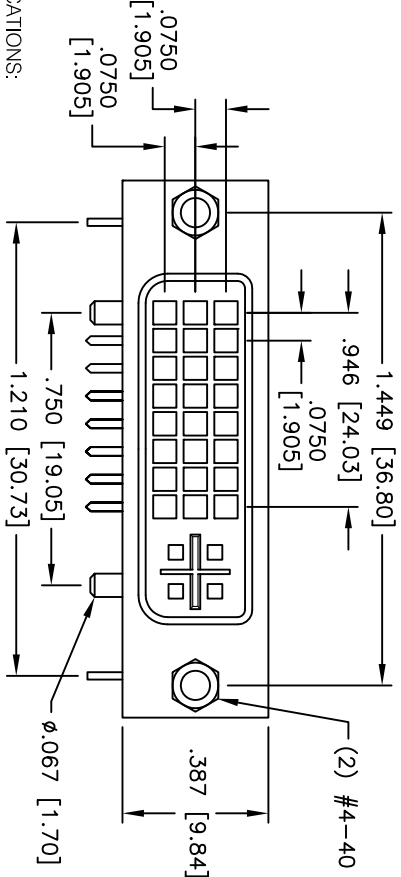


Rev	AWO #	Description	Date	Appr
-		RELEASED	5/12/05	

APPROVED: \_\_\_\_\_  
 DATE: \_\_\_\_\_ TITLE: \_\_\_\_\_



RECOMMENDED PCB LAYOUT



SPECIFICATIONS:

- Material: Insulator: PBT, glass reinforced, rated UL 94V-0
- Insulator color: Black
- Contacts: Phosphor Bronze
- Shell: Steel, Tin plated
- Hardware: Brass, Nickel plated
- Plating: Gold flash over Nickel underplate on mating area, Tin over Copper underplate on tails

Electrical:

- Operating voltage: 250 VAC max
- Current rating: 1.5 Amps max
- Contact resistance: 20 mohms max
- Insulation resistance: 1,000 Mohms min
- Dielectric withstanding voltage: 500 VAC for 1 minute
- Temperature Rating: Operating temperature: -55°C to +85°C
- Environmental: Lead free, RoHS compliant
- Recommended soldering temp: 235°C for 5 seconds



UNLESS OTHERWISE SPECIFIED ALL DIMENSIONS ARE INCHES [MM]	
TOLERANCES: EXCEPT AS NOTED	
INCHES	HOLDS
.X ± .10	ØXX ± .10
.XX ± .020	ØXXX ± .015
.XXX ± .015	ØXXXX ± .010
APPROVALS	DATE
DRAWN	SS
CHECKED	
APPROVED	

<b>ADAM TECH</b>	
909 Rahway Avenue, Union, NJ 07083	
Phone: 908-687-5000 Fax: 908-687-5710	
TITLE	DIGITAL VIDEO INTERFACE SOCKET
TITLE	#4-40 JACKSCREWS INSTALLED, ANALOG
SIZE	PART NO.
X	DVLSL-24-2-JS
REF:	SCALE: NTS
	SHEET 1 OF 1