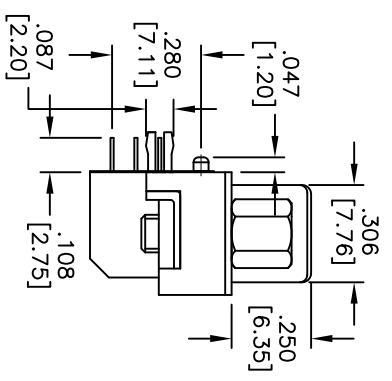
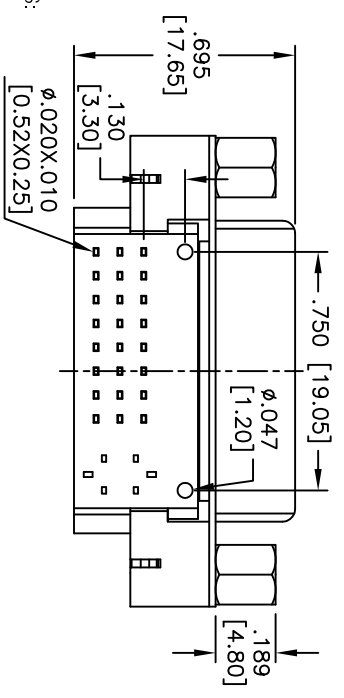
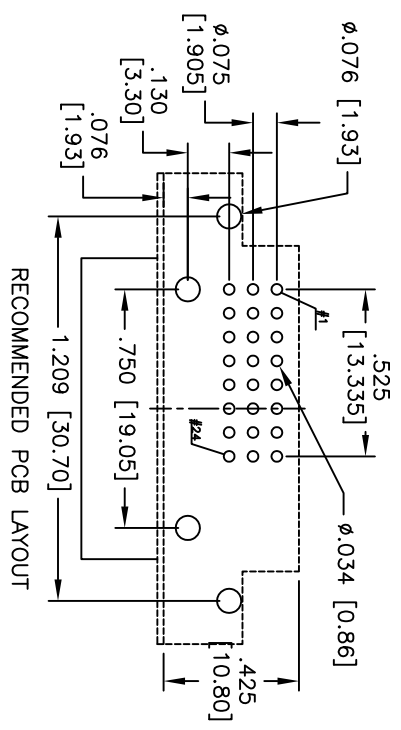
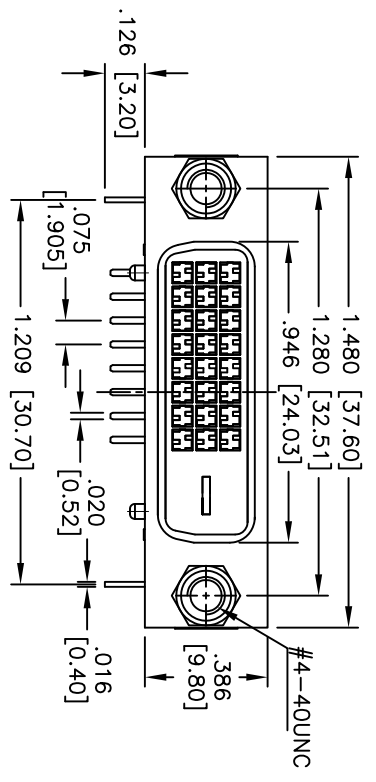


APPROVED: _____
 DATE: _____ TITLE: _____

Rev	AWO #	Description	Date	Appr
-		RELEASED	5/11/05	
A		REDRAWN	8/23/10	



SPECIFICATIONS:
 Material: Insulator: PBT, rated UL 94V-0, color Ivory.
 Latch: PA66, rated UL94V-0, color Ivory.
 Contacts: Copper Alloy
 Shell: SPCC
 Boardlock: Copper Alloy, Tin plated
 Hardware: Copper Alloy, Nickel plated
 Plating: Gold flash over Nickel underplate on mating area,
 Tin over Copper underplate on tails

Electrical:
 Operating voltage: 40 VAC max
 Current rating: 1.5 Amps max
 Contact resistance: 20 mohms max
 Insulation resistance: 1,000 Mohms min
 Dielectric withstanding voltage: 500 VAC for 1 minute
 Temperature Rating: Operating temperature: -55°C to +85°C

Environmental:
 Lead free, RoHS compliant
 Recommended soldering temp: 235°C for 5 seconds



ADAM TECH

909 Rahway Avenue, Union, NJ 07083
 Phone: 908-687-5000 Fax: 908-687-5710

DIGITAL VIDEO INTERFACE SOCKET
#4-40 JACKSCREWS INSTALLED, DIGITAL

UNLESS OTHERWISE SPECIFIED ALL DIMENSIONS ARE INCHES [MM]	
TOLERANCES: EXCEPT AS NOTED	
INCHES	HOLDS
.X ± .10	± .10
.XX ± .020	± .015
.XXX ± .015	± .010
APPROVALS	DATE
DRAWN	SS
CHECKED	5/11/05
APPROVED	

SIZE	PART NO.	REV.
X	DVLSL-24-1-JS	A
REF: S0027T	SCALE: NTS	SHEET 1 OF 1