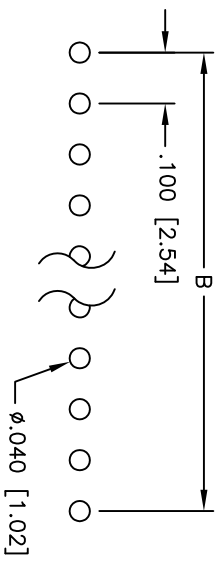
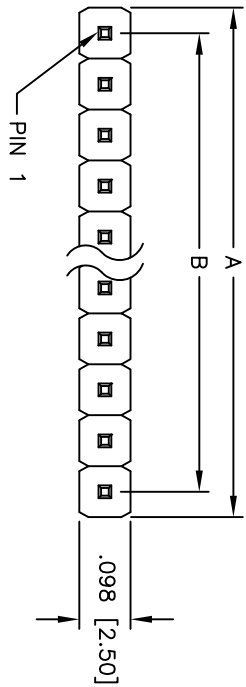
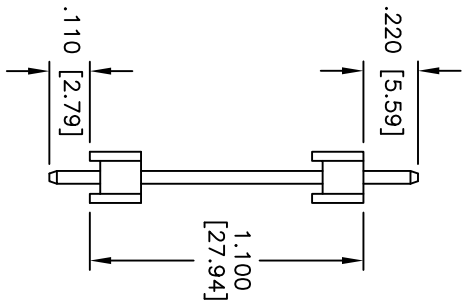
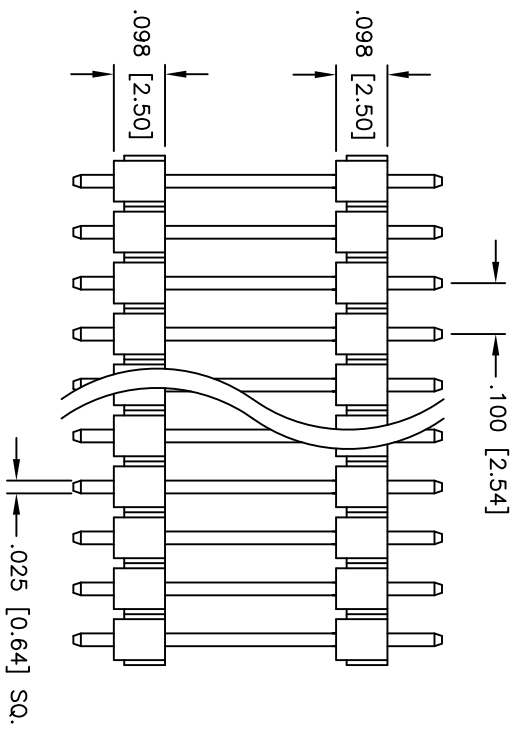


Rev	AWO #	Description	Date	Appr
-		RELEASED	4/26/10	

APPROVED: \_\_\_\_\_  
 DATE: \_\_\_\_\_ TITLE: \_\_\_\_\_



RECOMMENDED PCB LAYOUT



**SPECIFICATIONS:**

Material: Insulator: PBT, rated UL 94V-0  
 Insulator color: Black  
 Contacts: Brass  
 Plating: Tin over Copper underplate overall  
 Electrical: Current rating: 3 Amp max  
 Contact resistance: 20 mohms max  
 Insulation resistance: 5,000 Mohms min @ 500 VDC  
 Dielectric withstanding voltage: 500 VAC for 1 minute  
 Temperature Rating: Operating temperature: -40°C to +105°C

Positions: 1 thru 40  
 A = .100 [2.54] x No. of Positions  
 B = .100 [2.54] x No. of Spaces

UNLESS OTHERWISE SPECIFIED ALL DIMENSIONS ARE IN INCHES [MM]	
TOLERANCES: EXCEPT AS NOTED	
INCHES	HOLDS
.X ± .10	ØX ± .10
.XX ± .020	ØXXX ± .015
.XXX ± .015	ØXXX ± .010
APPROVALS	DATE
DRAWN	DY
CHECKED	
APPROVED	

**ADAM TECH**  
 909 Rahway Avenue, Union, NJ 07083  
 Phone: 908-687-5000 Fax: 908-687-5710  
 TITLE: .100 [2.54] SINGLE ROW PIN HEADER  
 DUAL INSULATOR, TIN PLATED

SIZE	PART NO.	REV.
X	DPH-1-XX-T-.220/.110/1.100	
REF:	S00039T	
SCALE:	NTS	
SHEET	1 OF 1	



Environmental: Lead free, RoHS compliant  
 Recommended soldering temp: 235°C for 5 seconds