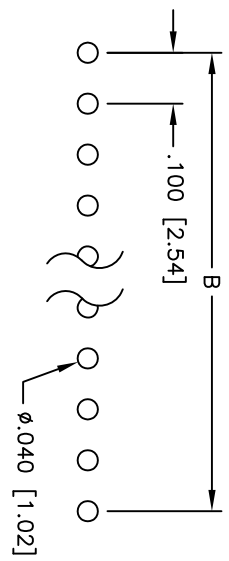
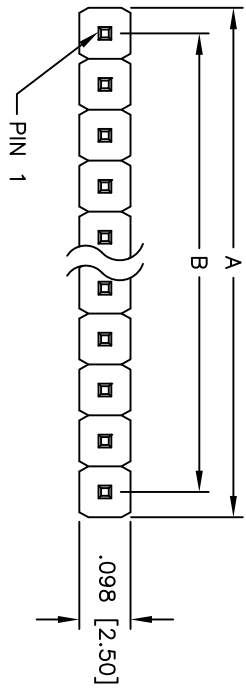
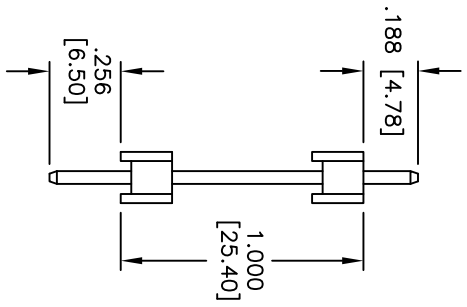
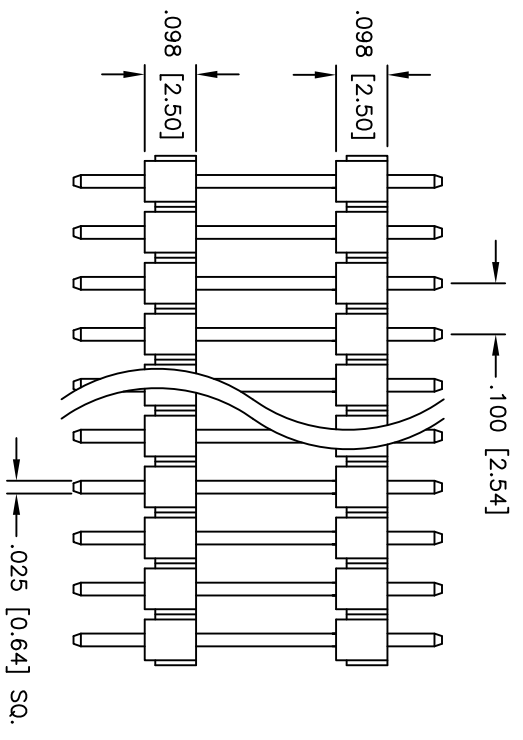


Rev	AWO #	Description	Date	Appr
-		RELEASED	4/26/10	

APPROVED: \_\_\_\_\_  
 DATE: \_\_\_\_\_ TITLE: \_\_\_\_\_



RECOMMENDED PCB LAYOUT



**SPECIFICATIONS:**

Material: PBT, rated UL 94V-0  
 Insulator color: Black  
 Contacts: Brass  
 Plating: Gold flash over Nickel underplate on contact area, Tin over Copper underplate on tails.

**Electrical:**

Current rating: 3 Amp max  
 Contact resistance: 20 mohms max  
 Insulation resistance: 5,000 Mohms min @ 500 VDC  
 Dielectric withstanding voltage: 500 VAC for 1 minute  
 Temperature Rating: Operating temperature: -40°C to +105°C

Environmental: Lead free, RoHS compliant

Recommended soldering temp: 235°C for 5 seconds

Positions: 1 thru 40  
 A = .100 [2.54] x No. of Positions  
 B = .100 [2.54] x No. of Spaces

UNLESS OTHERWISE SPECIFIED  
 ALL DIMENSIONS ARE INCHES [MM]  
 TOLERANCES: EXCEPT AS NOTED

INCHES	HOLES
.X ± .10	ØX ± .10
.XX ± .020	ØXXX ± .015
.XXX ± .015	ØXXX ± .010

APPROVALS

DATE	DATE

DRAWN	DY	4/26/10	SIZE	PART NO.	REV.
CHECKED			X	DPH-1-XX-SG-188/256/1.000	
APPROVED			REF: S00039T	SCALE: NTS	SHEET 1 OF 1

**ADAM TECH**

909 Rahway Avenue, Union, NJ 07083  
 Phone: 908-687-5000 Fax: 908-687-5710

TITLE: .100 [2.54] SINGLE ROW PIN HEADER  
 DUAL INSULATOR, SEL. GOLD PLATED

ROHS COMPLIANT