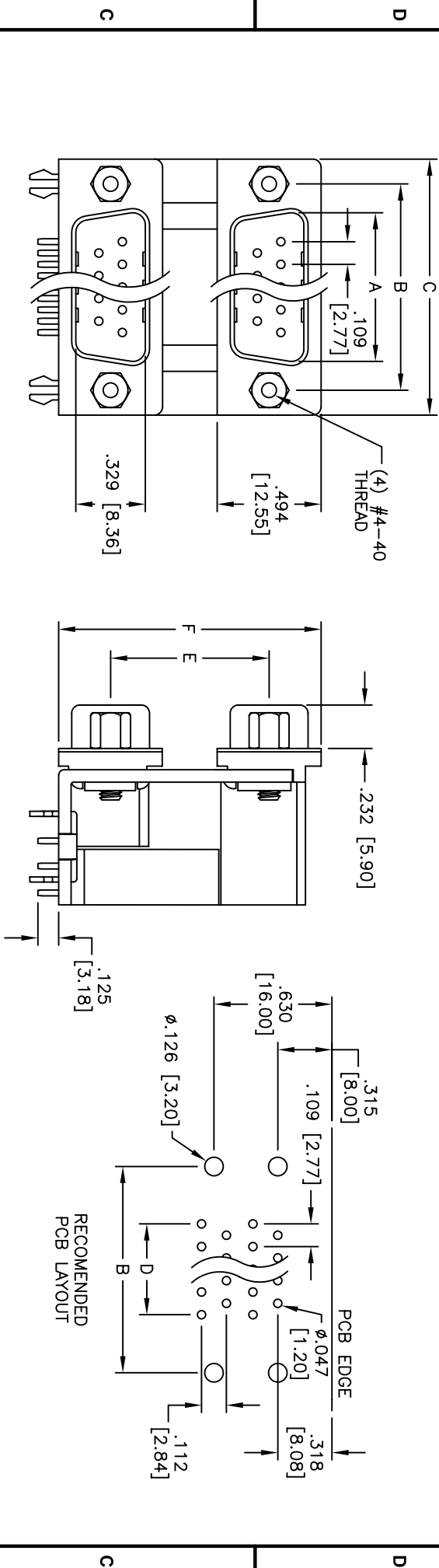


Rev	AWO #	Description	Date	Appr
-		RELEASED	6/10/05	

APPROVED: _____
 DATE: _____ TITLE: _____



Positions	DIMENSIONS				
	A	B	C	D	E
9	.666 [16.92]	.984 [24.99]	1.213 [30.81]	PORT HEIGHTS	PORT JACKSCREW CENTERS
15	.994 [25.25]	1.312 [33.32]	1.541 [39.14]	1.119 [28.42]	1.119 [28.42]
25	1.534 [38.96]	1.852 [47.04]	2.088 [53.04]	1.244 [31.60]	1.244 [31.60]
37	2.182 [55.43]	2.500 [63.50]	2.729 [69.32]	1.394 [35.41]	1.394 [35.41]
50	2.079 [52.81]	2.406 [61.11]	2.637 [67.00]		

Unit: Inch / mm

SPECIFICATIONS:

Material:
 Insulator: PBT, rated UL 94V-0
 Insulator color: Black
 Contacts: Phosphor Bronze
 Shell: Steel, Zinc plated
 Hardware: Brass, Nickel plated
 Plating:
 Gold flash over Nickel underplate overall

Electrical:
 Operating voltage: 250 VAC max.
 Current rating: 5 Amps max.
 Contact resistance: 20 mohms max. initial
 Insulation resistance: 5,000 Mohms min.
 Dielectric withstanding voltage: 1,000 VAC for 1 minute
 Temperature Rating:
 Operating temperature: -65°C to +125°C



Environmental:
 Lead free, RoHS compliant
 Recommended soldering temp: 230°C for 5 seconds

ADAM TECH

909 Rahway Avenue, Union, NJ 07083
 Phone: 908-687-5000 Fax: 908-687-5710

DUAL PORT D-SUB, MALE / MALE
 BOARDLOCKS, JACKSCREWS INSTALLED

UNLESS OTHERWISE SPECIFIED ALL DIMENSIONS ARE INCHES [MM] TOLERANCES: EXCEPT AS NOTED		INCHES		HOLDERS	
.X	± .10	ϕ X	± .10		
.XX	± .020	ϕ XX	± .015		
.XXX	± .015	ϕ XXX	± .010		
APPROVALS		DATE		TITLE	
DRAWN	SS	6/10/05		DUAL PORT D-SUB, MALE / MALE	
CHECKED				BOARDLOCKS, JACKSCREWS INSTALLED	
APPROVED				SIZE	PART NO.
				X	DPD-XX-11-X3-JS
		REF:	SCALE: NTS	SHEET 1 OF 1	REV.