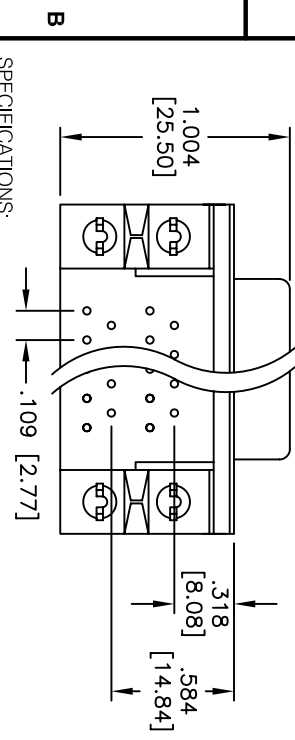
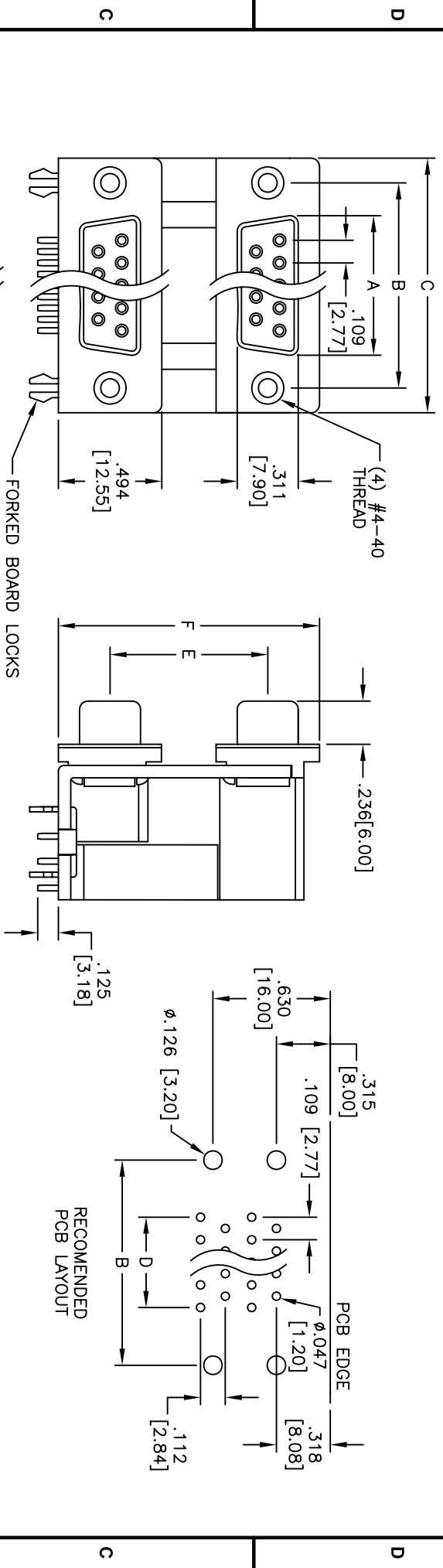


Rev	AWO #	Description	Date	Appr
-		RELEASED	6/10/05	

APPROVED: _____
 DATE: _____ TITLE: _____



PORT SPACING	PLUG DIMENSIONS			
	A3	B3	C3	
.900 [22.86]	.900 [22.86]	.750 [19.05]	.625 [15.88]	
.750 [19.05]	.750 [19.05]	.750 [19.05]	.625 [15.88]	
.625 [15.88]	.625 [15.88]	.625 [15.88]	.625 [15.88]	

POSITIONS	DIMENSIONS			
	A	B	C	D
9	.643 [16.33]	.984 [24.99]	1.213 [30.81]	.436 [11.08]
15	.971 [24.66]	1.312 [33.32]	1.541 [39.14]	.763 [19.39]
25	1.511 [38.38]	1.852 [47.04]	2.088 [53.04]	1.309 [33.24]
37	2.160 [54.84]	2.500 [63.50]	2.729 [69.32]	1.963 [49.86]

ADAM TECH

909 Rahway Avenue, Union, NJ 07083
 Phone: 908-687-5000 Fax: 908-687-5710

TITLE: DUAL PORT D-SUB, FEMALE / FEMALE
 FORKED BOARDLOCKS, HI-TEMP

UNLESS OTHERWISE SPECIFIED ALL DIMENSIONS ARE INCHES [MM]		TOLERANCES: EXCEPT AS NOTED INCHES HOLEES ±.10 ØXX ±.015 ØXXX ±.010	
APPROVALS	DATE	APPROVALS	DATE
DRAWN	SS	6/10/05	
CHECKED			
APPROVED			
SIZE	PART NO.	DPD-XX-00-X3-HT	REV.
X			
SCALE: NTS	SHEET 1 OF 1		

SPECIFICATIONS:
 Material: Insulator: Nylon 6T, High Temp Thermoplastic, rated UL 94V-0
 Insulator color: Black
 Contacts: Phosphor Bronze
 Shell: Steel, Zinc plated
 Plating: Gold flash over Nickel underplate overall
 Electrical:
 Operating voltage: 250 VAC max.
 Current rating: 5 Amps max.
 Contact resistance: 20 mohms max. initial
 Insulation resistance: 5,000 Mohms min.
 Dielectric withstanding voltage: 1,000 VAC for 1 minute
 Temperature Rating:
 Operating temperature: -65°C to +125°C
 Environmental:
 Lead free, RoHS compliant
 Recommended soldering temp: 235°C for 5 seconds
 Packaging: Anti-ESD plastic trays

