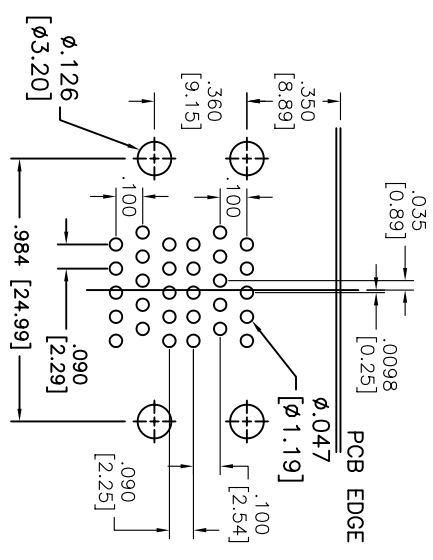
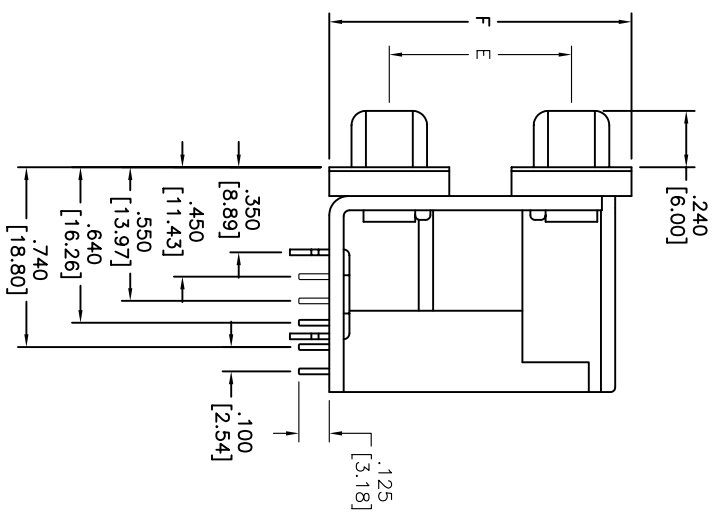
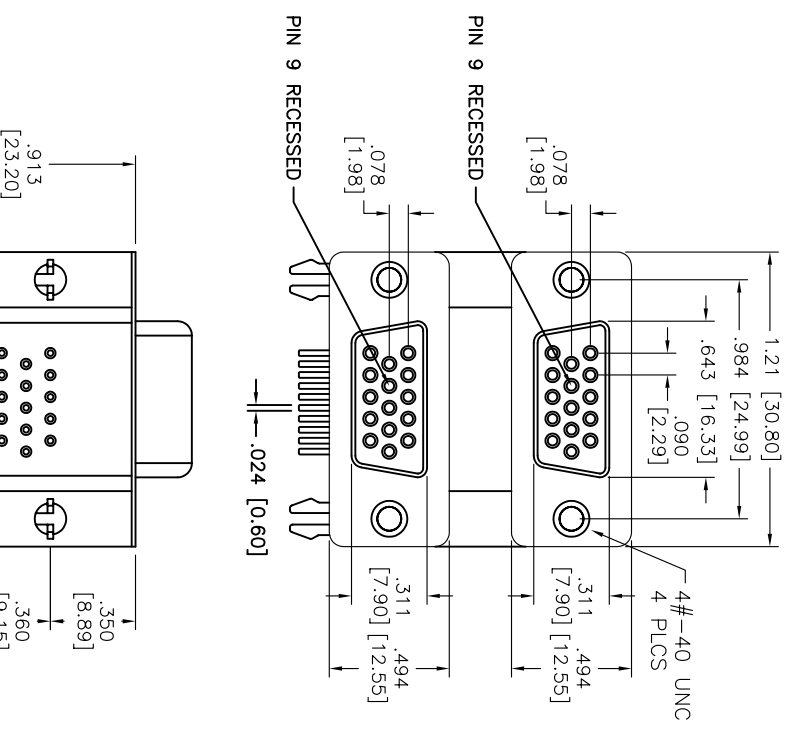


Rev	AWO #	Description	Date	Appr
-		RELEASED	11/22/04	

APPROVED: _____
 DATE: _____ TITLE: _____



PORT SPACING	-X3	Plug Dimensions	E	F
.900 [22.86]	A3	.900 [22.86]	1.394 [35.41]	
.750 [19.05]	B3	.750 [19.05]	1.244 [31.60]	
.625 [15.88]	C3	.625 [15.88]	1.120 [28.43]	

SPECIFICATIONS:
 Material: PBT, glass reinforced, rated UL 94V-0
 Insulator color: Blue, Pin #9 recessed
 Contacts: Phosphor Bronze
 Shell: Steel, Zinc plated
 Plating: Gold Flash over Nickel underplate overall
 Electrical:
 Operating voltage: 250 VAC max
 Current rating: 5 Amps max
 Contact resistance: 20 mohms max
 Insulator resistance: 5000 Mohms min @ 500 VDC
 Dielectric withstanding voltage: 1000 VAC for 1 minute
 Temperature Rating: Operating temperature: -65°C to +125°C
 Environmental: Lead free, RoHS compliant.
 Recommended soldering temp: 230 for 5 sec.

UNLESS OTHERWISE SPECIFIED ALL DIMENSIONS ARE IN INCHES [MM]	
TOLERANCES: EXCEPT AS NOTED IN INCHES	
.X ± .10	ØXX ± .10
.XX ± .020	ØXXX ± .015
.XXX ± .015	ØXXXX ± .010
APPROVALS	DATE
DRAWN	SS
CHECKED	5/25/05
APPROVED	

ADAM TECH
 909 Rahway Avenue, Union, NJ 07083
 Phone: 908-687-5000 Fax: 908-687-5710

TITLE: DUAL PORT D-SUB, RIGHT ANGLE, HDV/G FEMALE / HD FEMALE, 15 POSITION

SIZE: X PART NO.: DPD-HDV/G15/HDV/G15-00-X3

SCALE: NTS SHEET 1 OF 1