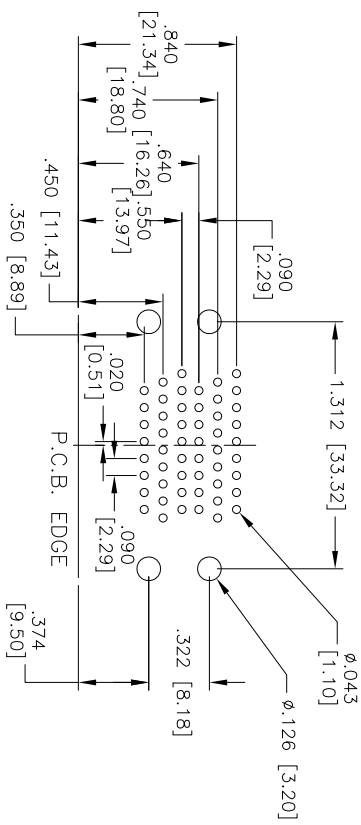
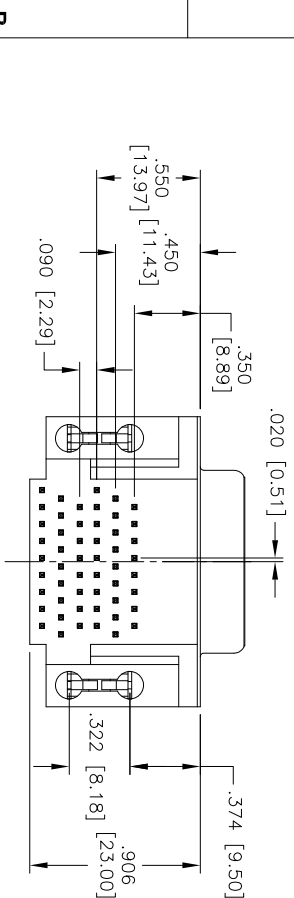
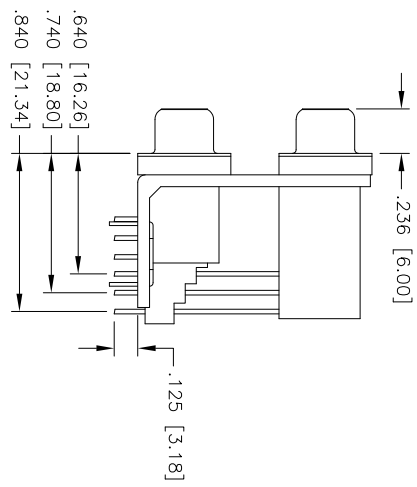
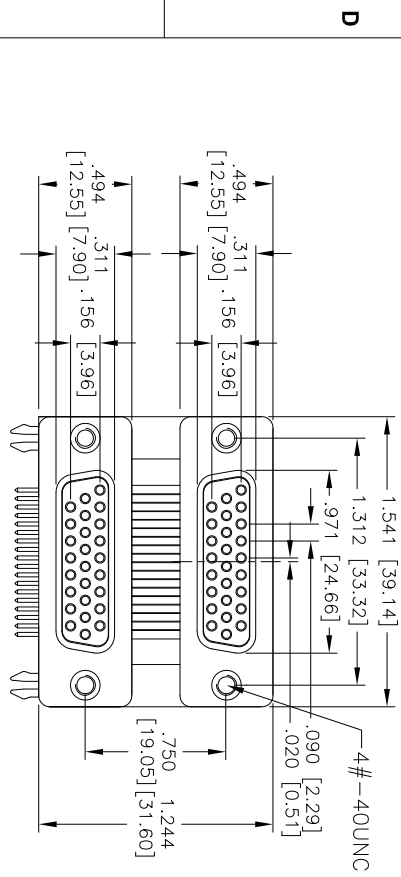


Rev	AWO #	Description	Date	Appr
-		RELEASED	3/03/09	

APPROVED: \_\_\_\_\_

DATE: \_\_\_\_\_ TITLE: \_\_\_\_\_



RECOMMENDED PCB LAYOUT

**SPECIFICATIONS:**

**Material:**  
 Insulator: PBT, rated UL 94V-0  
 Insulator color: Black  
 Contacts: Brass  
 Shell: Steel, Nickel plated  
 Plating:  
 Gold flash over Nickel underplate overall

**Electrical:**

Operating voltage: 250 VAC max.  
 Current rating: 3 Amps max.  
 Contact resistance: 25 milliohms max.  
 Insulation resistance: 5,000 Megohms min.@DC 500V  
 Dielectric withstanding voltage: 1,000 VAC for 1 minute  
 Temperature Rating:  
 Operating temperature: -55°C to +105°C

**Environmental:**

Lead free, RoHS compliant.  
 Recommended soldering temp: 235°C for 5 sec.



UNLESS OTHERWISE SPECIFIED ALL DIMENSIONS ARE MILLIMETERS TOLERANCES: EXCEPT AS NOTED	
.X INCHES	HOLE
.XX ± 0.25	± 0.13
.XX ± 0.15	
.XXX ± 0.05	
APPROVALS	DATE
DRAWN DY	3/03/09
CHECKED	
APPROVED	

**ADAM TECH**  
 909 Rahway Avenue, Union, NJ 07083  
 Phone: 908-687-5000 Fax: 908-687-5710

TITLE: **DUAL PORT D-SUB, FEMALE / FEMALE**  
**HD26 OVER HD26, #4-40 THREADED HOLE**

SIZE	PART NO.	REV.
X	DPD-HD26-00-B3	-
REF:	S00027T	SCALE: NTS
		SHEET 1 OF 1