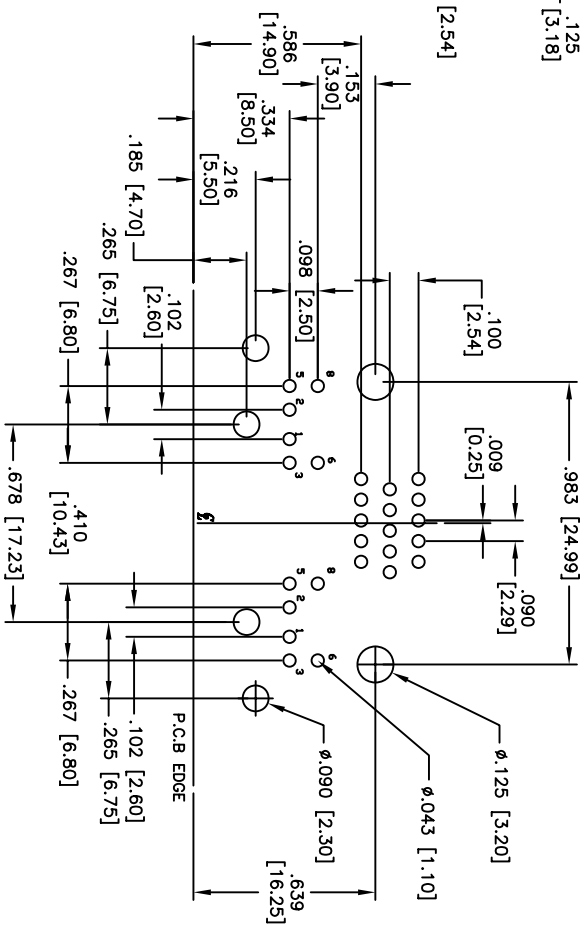
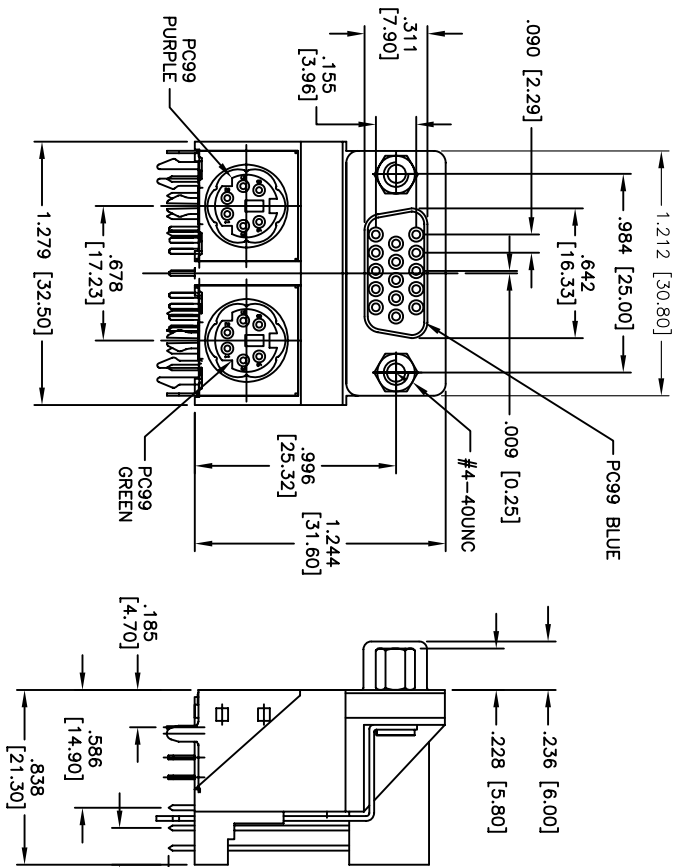


Rev	AWO #	Description	Date	Appr
-	7579	RELEASED	3/9/07	

APPROVED: \_\_\_\_\_  
 DATE: \_\_\_\_\_ TITLE: \_\_\_\_\_



RECOMMENDED P.C.B. LAYOUT

**SPECIFICATIONS:**

**Material:**  
 Insulator: PBT, rated UL 94V-0  
 D-Sub Insulator color: PC99 Blue (Pantone color 660C ~ 662C)  
 Mini Din Insulator color:  
 Left Port: Purple, Pantone color 2705C ~ 2715C)  
 Right Port: Green, Pantone color 3385C ~ 3395C)  
**Contacts:** Brass  
**Shell:** Steel, Nickel plated  
**Plating:**  
 Gold flash over Nickel underplate overall  
**Electrical:**  
 Operating voltage: 250 VAC max.  
 Current rating: 3 Amps max.  
 Contact resistance: 25 mohms max. initial  
 Insulation resistance: 5,000 Mohms min.  
 Dielectric withstanding voltage: 1,000 VAC for 1 minute  
**Temperature Rating:**  
 Operating temperature: -55°C to +105°C  
**Environmental:**  
 Lead free, RoHS compliant.  
 Recommended soldering temp: 235°C for 5 sec.



UNLESS OTHERWISE SPECIFIED  
 ALL DIMENSIONS ARE INCHES [MM]  
 TOLERANCES: EXCEPT AS NOTED  
 INCHES  
 .X ± .10  
 .XX ± .020  
 .XXX ± .015  
 .XXX ± .010  
 Holes  
 ØX ± .10  
 ØXXX ± .015  
 ØXXX ± .010

**ADAM TECH**  
 909 Rahway Avenue, Union, NJ 07083  
 Phone: 908-687-5000 Fax: 908-687-5710

DRAWN	BW	3/9/07	SIZE	PART NO.	REV.
CHECKED			X	DPD-HD/15/2MDJ-006-00-3	-
APPROVED			REF:	SCALE: NTS	SHEET 1 OF 1