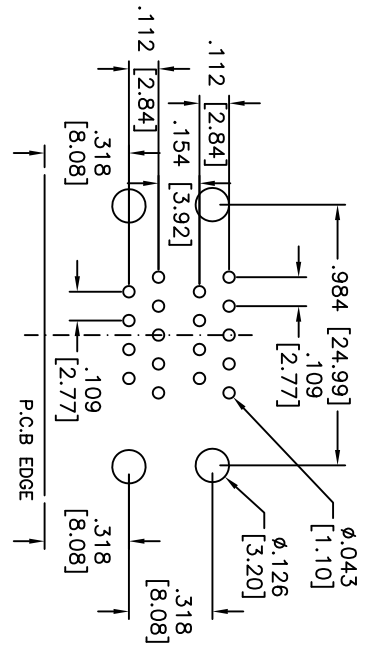
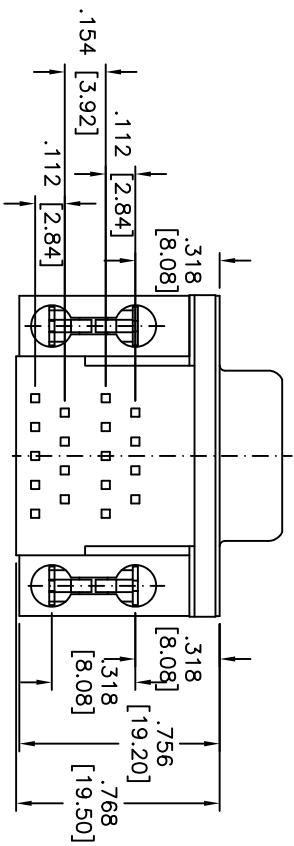
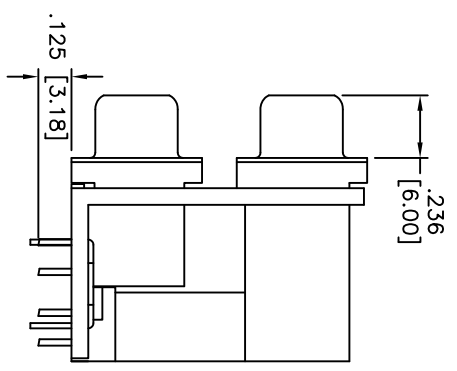
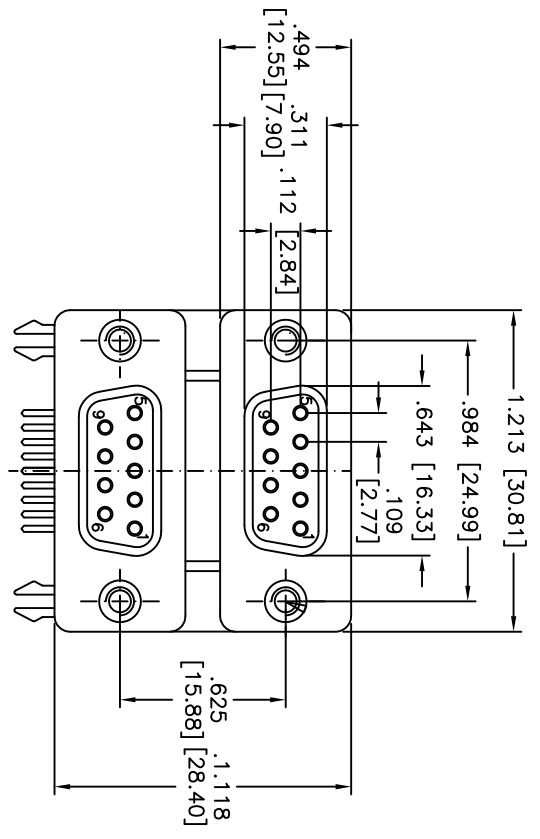


Rev	AWO #	Description	Date	Appr
-		RELEASED	1/20/10	

APPROVED: _____
 DATE: _____ TITLE: _____



RECOMMENDED PCB LAYOUT

SPECIFICATIONS:

- Material: Insulator: PBT, rated UL 94V-0
- Insulator color: Black
- Contacts: Brass
- Shell: Cold Roller Steel, Nickel plated
- Plating: Gold flash over Nickel underplate overall
- Electrical: Current rating: 5 Amps max. Contact resistance: 25 mohms max. initial Dielectric withstanding voltage: 1,000 VAC for 1 minute Temperature Rating: Operating temperature: -55°C to +105°C Environmental: Lead free, RoHS compliant. Recommended soldering temp: 235°C for 5 sec.

ADAM TECH

909 Rahway Avenue, Union, NJ 07083
 Phone: 908-687-5000 Fax: 908-687-5710

TITLE: DUAL PORT D-SUB, RIGHT ANGLE, FEMALE 9 PIN / FEMALE 9 PIN

UNLESS OTHERWISE SPECIFIED ALL DIMENSIONS ARE IN INCHES [MM]		TOLERANCES: EXCEPT AS NOTED	
INCHES		Holes	
.X	± .10	ØX	± .10
.XX	± .020	ØXXX	± .015
.XXX	± .015	ØXXXX	± .010
APPROVALS	DATE	TITLE	
DRAWN	DY	1/20/10	
CHECKED		SIZE	
APPROVED		PART NO.	
		DPD-09-00-C3	
REF:	S00027T	SCALE:	NIS
		SHEET	1 OF 1