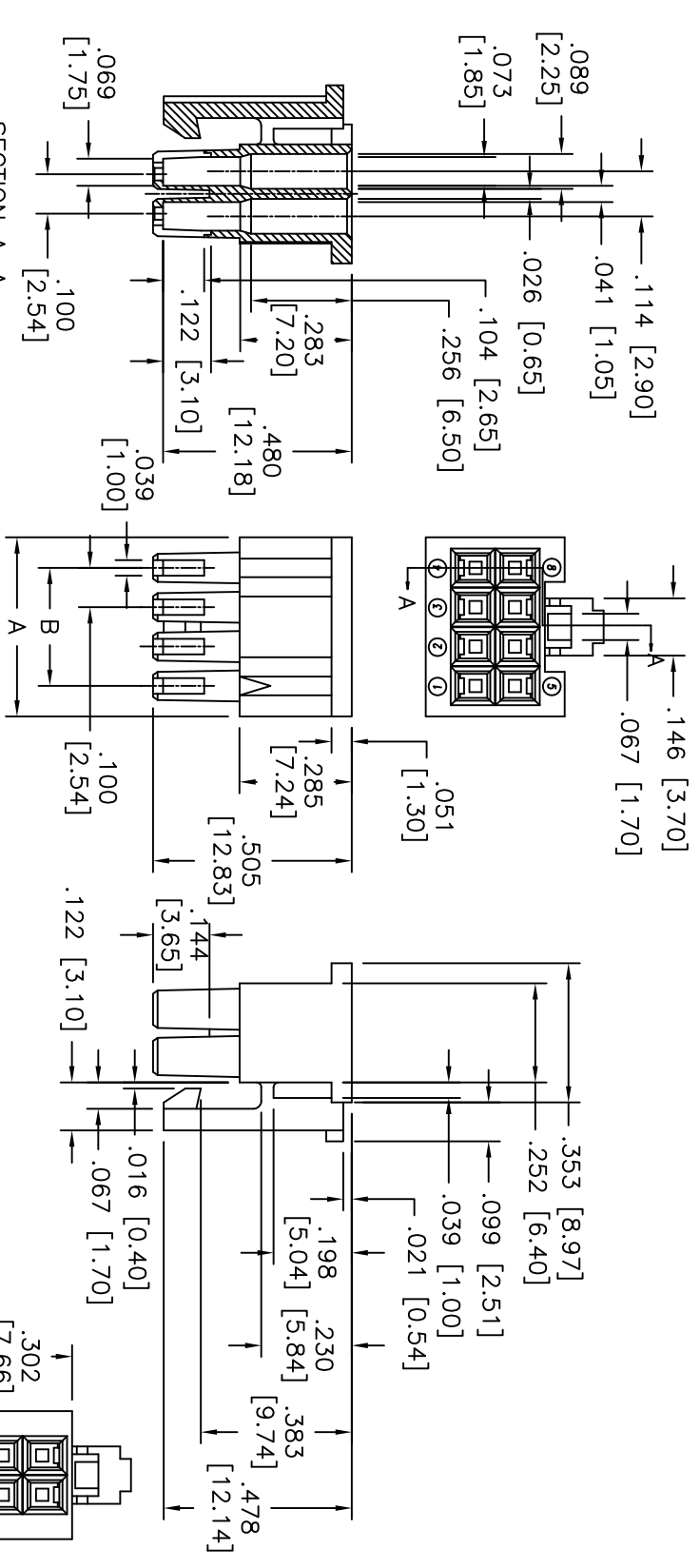
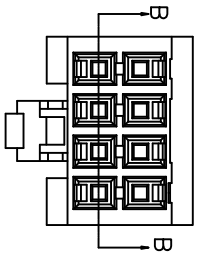
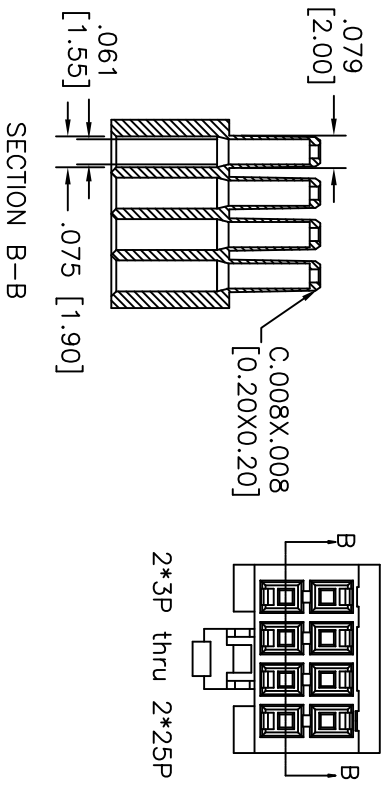


Rev	AWO #	Description	Date	Appr
-	9632	RELEASED	6/25/10	

APPROVED: \_\_\_\_\_  
 DATE: \_\_\_\_\_ TITLE: \_\_\_\_\_



A = .100 [2.54] X No. of Positions per row + .055 [1.40]  
 B = .100 [2.54] X No. of (Positions-1) per row



**SPECIFICATIONS:**

Material:  
 Insulator: PA66, rated UL 94V-2  
 Insulator color: White  
 Environmental:  
 Lead free, RoHS compliant.

UNLESS OTHERWISE SPECIFIED  
 ALL DIMENSIONS ARE MM [INCHES]  
 TOLERANCES: EXCEPT AS NOTED  
 INCHES Holes

.X	± .10	ØXX	± .10
.XX	± .020	ØXXX	± .015
.XXX	± .015	ØXXXX	± .010

**ADAM TECH**  
 909 Railway Avenue, Union, NJ 07083  
 Phone: 908-687-5000 Fax: 908-687-5710

TITLE: PLUG HOUSING, .100 [2.54] PITCH

DRAWN	DY	6/25/10
CHECKED		
APPROVED		

SIZE	PART NO.	REV.
X	DMS-XX	-
REF: S000190	SCALE: NTS	SHEET 1 OF 1

