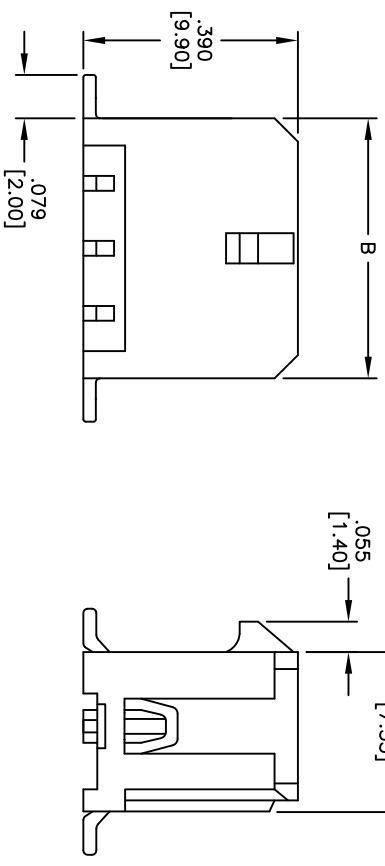
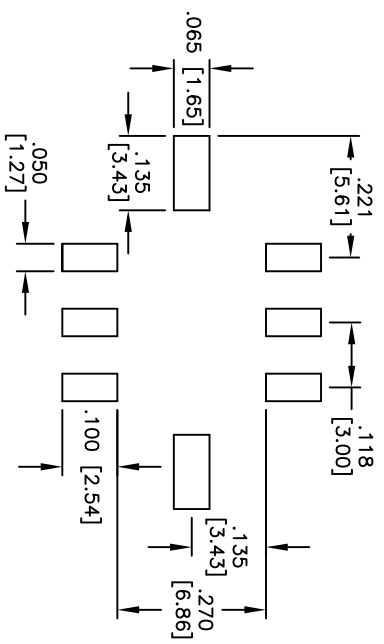
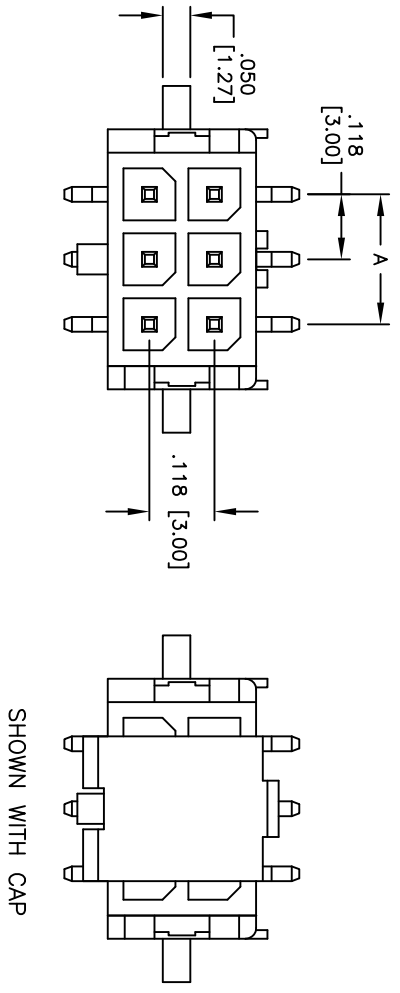


Rev	AWO #	Description	Date	Appr
-		RELEASED	8/20/10	

APPROVED: _____
 DATE: _____ TITLE: _____



PACKAGED ON TAPE & REEL

POSITIONS	Dimension	
	A	B
2	N/A	.262 [6.65]
4	.118 [3.00]	.380 [9.65]
6	.236 [6.00]	.498 [12.65]
8	.354 [9.00]	.616 [15.65]
10	.472 [12.00]	.734 [18.65]
12	.591 [15.00]	.852 [21.65]
14	.709 [18.00]	.970 [24.65]
16	.827 [21.00]	1.088 [27.65]
18	.945 [24.00]	1.206 [30.65]
20	1.063 [27.00]	1.325 [33.65]
22	1.181 [30.00]	1.443 [36.65]
24	1.299 [33.00]	1.561 [39.65]

SPECIFICATIONS:
 Material: Hi-temp thermoplastic, rated UL 94V-0
 Insulator color: Black
 Contacts: Brass
 Plating: 30U" Gold over Nickel underplate overall
 Electrical: 30U" Gold over Nickel underplate overall
 Operating voltage: 250V AC, DC
 Current rating: 5A AC, DC
 Contact resistance: 10 mohms max
 Insulation resistance: 1000 mohms min
 Dielectric withstanding voltage: 1500 VAC for 1 minute
 Temperature range: -25°C to +105°C

A

Environmental: Recommended soldering temp: 260°C for 5 sec.
 RoHS COMPLIANT

UNLESS OTHERWISE SPECIFIED ALL DIMENSIONS ARE INCHES [MM]	
TOLERANCES: EXCEPT AS NOTED	
INCHES	HOLDS
.X ± .10	ØXX ± .10
.XX ± .020	ØXXX ± .015
.XXX ± .015	ØXXXX ± .010
APPROVALS	DATE
DRAWN	DY
CHECKED	8/20/10
APPROVED	

ADAM TECH
 909 Railway Avenue, Union, NJ 07083
 Phone: 908-687-5000 Fax: 908-687-5710

TITLE: .118 [3.00] DUAL ROW THRU HOLE HEADER
 VERTICAL, TRUE SMT TYPE, WITH CAP

SIZE: X
 PART NO.: DML-XX-A-V-G-TSMT-30-PP-T/R
 REF: S0072T SCALE: NTS SHEET 1 OF 1

A