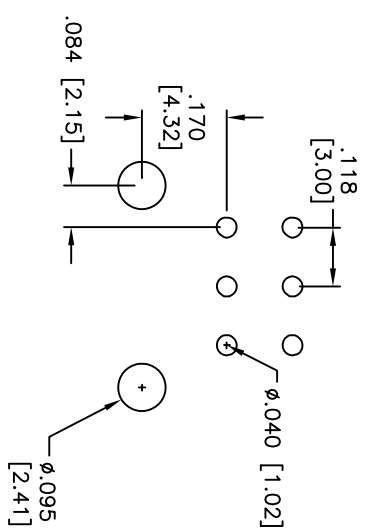
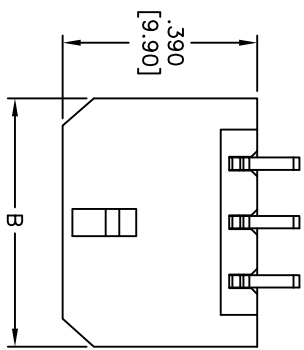
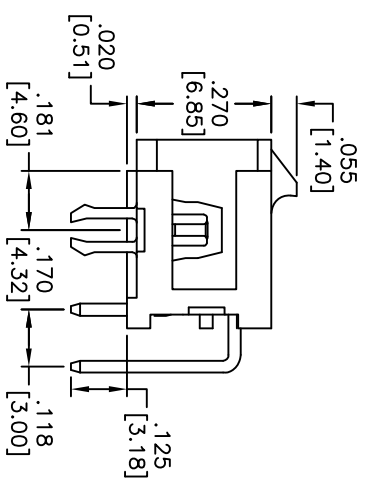
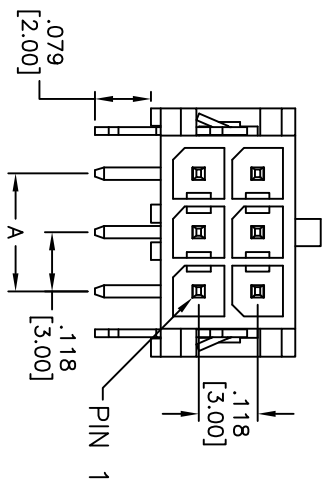


Rev	AWO #	Description	Date	Appr
-		RELEASED	10/6/10	

APPROVED: _____
 DATE: _____ TITLE: _____



RECOMMENDED PCB LAYOUT



Positions: 2 thru 24

A = .118 [3.00] x No. of Spaces
 B = .118 [3.00] x No. of Spaces + .262 [6.65]

SPECIFICATIONS:

- Material: Insulator: LCP, rated UL 94V-0
- Insulator color: Black
- Contacts: Brass
- Plating: Tin over Copper underplate overall
- Electrical: Operating voltage: 250V AC, DC
- Current rating: 5A AC, DC
- Contact resistance: 10 mohms max
- Dielectric withstanding voltage: 1500 VAC for 1 minute
- Temperature Rating: Ambient temperature range: -25°C to +85°C
- Environmental: Lead free, RoHS compliant.
- Recommended soldering temp: 260°C for 5 sec.

ADAM TECH

909 Rahway Avenue, Union, NJ 07083
 Phone: 908-687-5000 Fax: 908-687-5710

TITLE: .118" (3.0mm) MICRO FIT HEADER
 DUAL ROW RIGHT ANGLE

UNLESS OTHERWISE SPECIFIED ALL DIMENSIONS ARE INCHES [MM]	
TOLERANCES: EXCEPT AS NOTED	HOLES
.X ± .10	± .10
.XX ± .020	± .015
.XXX ± .015	± .010
APPROVALS	DATE
DRAWN AY	10/6/10
CHECKED VW	10/6/10
APPROVED	

SIZE	PART NO.	REV.
X	DML-XX-A-H-1-A-BL	-
REF: S000QT	SCALE: NTS	SHEET 1 OF 1



6 5 4 3 2 1