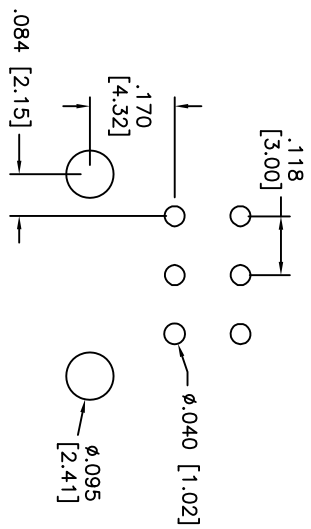
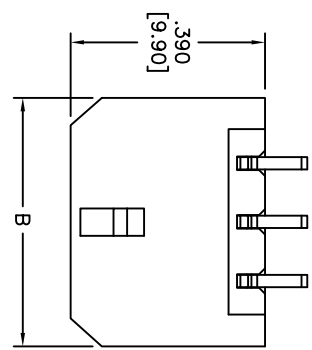
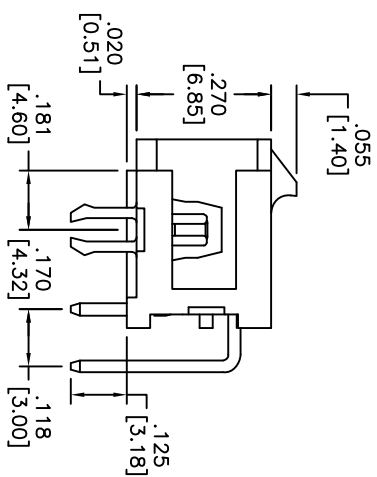
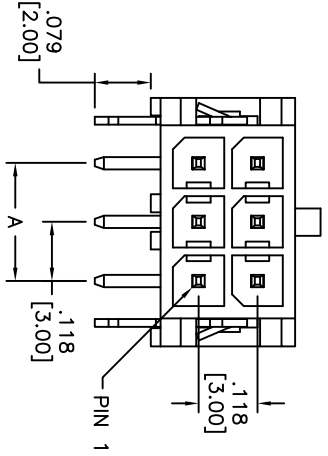


Rev	AWO #	Description	Date	Appr
-		RELEASED	12/09/10	

APPROVED: \_\_\_\_\_  
 DATE: \_\_\_\_\_ TITLE: \_\_\_\_\_



RECOMMENDED PCB LAYOUT



**SPECIFICATIONS:**

Material: Insulator: LCP, rated UL 94V-0  
 Insulator color: Black  
 Contacts: Brass  
 Plating: Matt Tin over Nickel underplate overall  
 Electrical: Operating voltage: 250V AC, DC  
 Current rating: 5A AC, DC  
 Contact resistance: 10 mohms max  
 Dielectric withstanding voltage: 1500 VAC for 1 minute  
 Temperature Rating: Ambient temperature range: -25°C to +85°C  
 Environmental: Lead free, RoHS compliant.  
 Recommended soldering temp: 260°C for 5 sec.

Positions: 2 thru 24  
 A = .118 [3.00] x No. of Spoces  
 B = .118 [3.00] x No. of Spoces + .262 [6.65]

UNLESS OTHERWISE SPECIFIED  
 ALL DIMENSIONS ARE INCHES [MM]  
 TOLERANCES: EXCEPT AS NOTED

INCHES	HILES
.X ± .10	ØX ± .10
.XX ± .020	ØXX ± .015
.XXX ± .015	ØXXX ± .010

APPROVALS: \_\_\_\_\_ DATE: \_\_\_\_\_

DRAWN	DY	12/09/10
CHECKED		
APPROVED		

**ADAM TECH**  
 909 Rahway Avenue, Union, NJ 07083  
 Phone: 908-687-5000 Fax: 908-687-5710

TITLE	.118" [3.0mm] MICRO FIT HEADER	
	DUAL ROW RIGHT ANGLE	
SIZE	PART NO.	REV.
X	DML-XX-A-H-MT-A-BL	-
REF:	S000QT	SCALE: NTS
		SHEET 1 OF 1

6 5 4 3 2 1