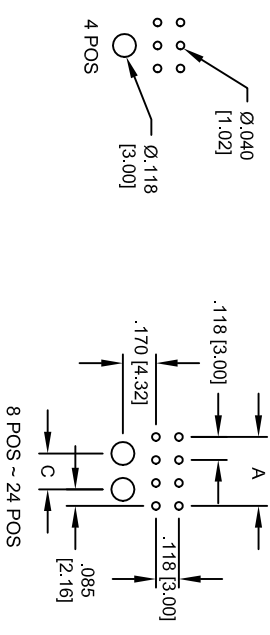
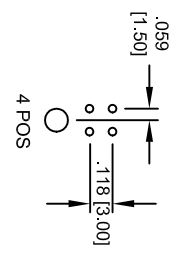
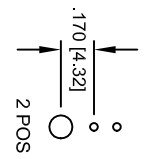
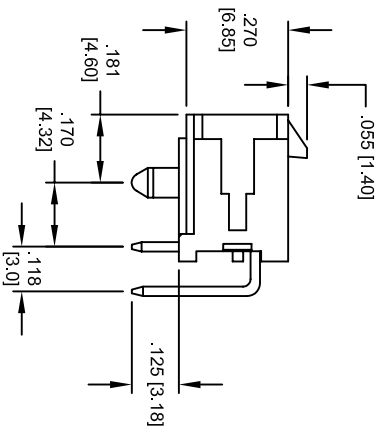
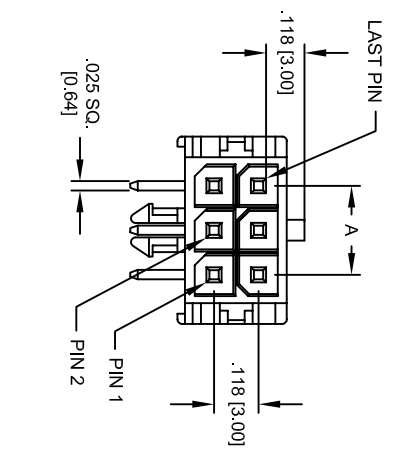
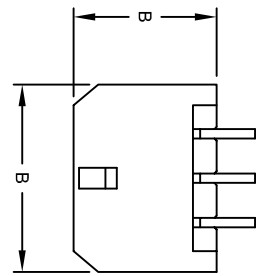


Rev	AWO #	Description	Date	Appr
-		RELEASED	8/20/04	

APPROVED: \_\_\_\_\_  
 DATE: \_\_\_\_\_ TITLE: \_\_\_\_\_



POSITIONS	Dimension		
	A	B	C
2	NA	.262 [6.65]	
4	.118 [3.00]	.380 [9.65]	
6	.236 [6.00]	.498 [12.65]	
8	.354 [9.00]	.616 [15.65]	.185 [4.70]
10	.472 [12.00]	.734 [18.65]	.303 [7.70]
12	.591 [15.00]	.852 [21.65]	.421 [10.70]
14	.709 [18.00]	.970 [24.65]	.539 [13.70]
16	.827 [21.00]	1.088 [27.65]	.657 [16.70]
18	.945 [24.00]	1.206 [30.65]	.776 [19.70]
20	1.063 [27.00]	1.325 [33.65]	.894 [22.70]
22	1.181 [30.00]	1.443 [36.65]	1.012 [25.70]
24	1.299 [33.00]	1.561 [39.65]	1.130 [28.70]

**SPECIFICATIONS:**  
 Material: Insulator: Nylon 9T, rated UL 94V-0  
 Insulator color: Black  
 Contacts: Brass  
 Plating: Gold Flash over Nickel underplate overall  
 Electrical: Operating voltage: 250 VAC max  
 Current rating: 24 & 22 Awg: 5 Amps max  
 24 Awg: 4 Amps max  
 26 Awg: 3 Amps max  
 28 Awg: 2 Amps max  
 30 Awg: 1 Amp max  
 Contact resistance: 10 mohms max  
 Dielectric withstanding voltage: 1500 VAC for 1 minute  
 Temperature rise: 30C max.

UNLESS OTHERWISE SPECIFIED  
 ALL DIMENSIONS ARE IN INCHES [MM]  
 TOLERANCES: EXCEPT AS NOTED  
 INCHES: .X ± .10 ØXX ± .015  
 .XX ± .020 ØXXX ± .010  
 .XXX ± .015  
 APPROVALS: \_\_\_\_\_ DATE: \_\_\_\_\_  
 DRAWN: SS 8/20/04  
 CHECKED: \_\_\_\_\_  
 APPROVED: \_\_\_\_\_

**ADAM TECH**  
 909 Rahway Avenue, Union, NJ 07083  
 Phone: 908-687-5000 Fax: 908-687-5710  
 TITLE: .118" [3.0mm] MICRO FIT HEADER  
 DUAL ROW RIGHT ANGLE

SIZE: X PART NO.: DML-XX-AH-G-A  
 SCALE: NTS SHEET 1 OF 1  
 REV: \_\_\_\_\_