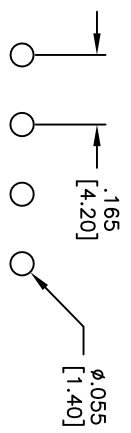
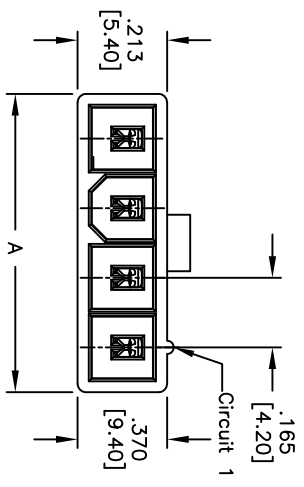
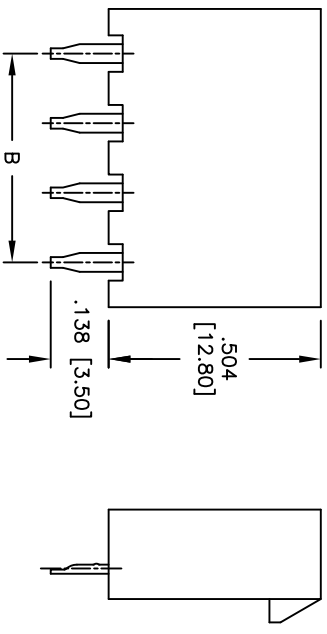


Rev	AWO #	Description	Date	Appr
-		RELEASED	4/09/10	

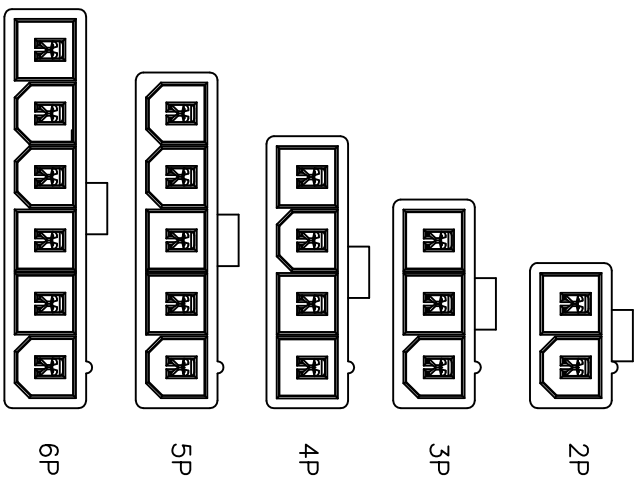
APPROVED: _____
 DATE: _____ TITLE: _____



RECOMMENDED PCB LAYOUT



ADAM P/N	A	B
DMF-02-A-VS-T	.378 [9.60]	.165 [4.20]
DMF-03-A-VS-T	.543 [13.80]	.331 [8.40]
DMF-04-A-VS-T	.709 [18.00]	.496 [12.60]
DMF-05-A-VS-T	.874 [22.20]	.661 [16.80]
DMF-06-A-VS-T	1.039 [26.40]	.827 [21.00]



SPECIFICATIONS:

Material: Nylon 66, rated UL 94V-0
 Insulator color: Natural
 contact: Brass, Tin plated
 Electrical:

Operating voltage: 600V
 Current rating: 9 Amps Max.
 Contact resistance: 10 mohms Max.
 Insulation resistance: 1000 mohms min
 Dielectric withstanding voltage: 1500 VAC for 1 minute
 Temperature range: -40°C to +105°C

Environmental:
 Lead free, RoHS compliant.
 Recommended soldering temp: 235°C for 5 sec.



UNLESS OTHERWISE SPECIFIED
 ALL DIMENSIONS ARE INCHES [MM]
 TOLERANCES: EXCEPT AS NOTED
 INCHES

.X	±.10	ØX	±.10
.XX	±.020	ØXXX	±.015
.XXX	±.015	ØXXX	±.010

APPROVALS

DRAWN	DY	4/09/10
CHECKED		
APPROVED		

ADAM TECH

909 Railway Avenue, Union, NJ 07083
 Phone: 908-687-5000 Fax: 908-687-5710

TITLE: .165 [4.20] HOUSING, MALE TERMINALS
 VERTICAL, STRAIGHT, PCB MOUNT

SIZE	PART NO.	REV.
X	DMF-XX-A-VS-T	-
REF:	S00004T	SHEET 1 OF 1
SCALE:	NIS	