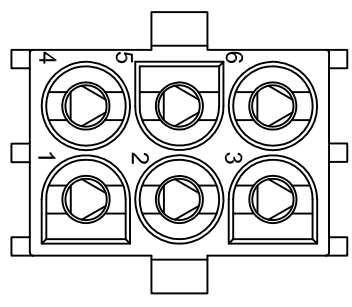


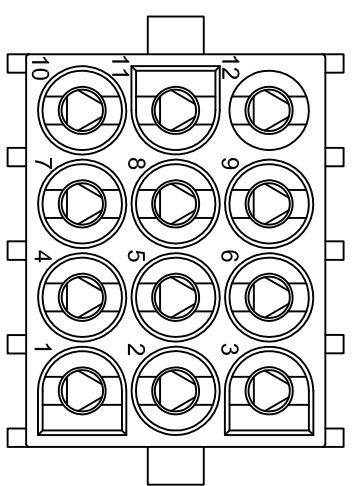
APPROVED: _____
 DATE: _____ TITLE: _____

Rev	AWO #	Description	Date	Appr
		SEE SHT 1 OF 2 FOR REVISION		

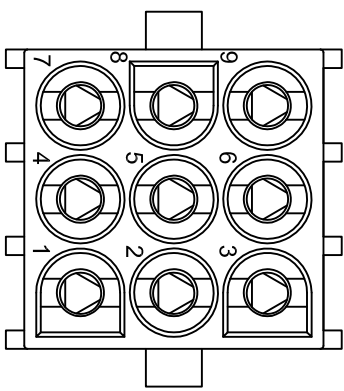
6 POSITION



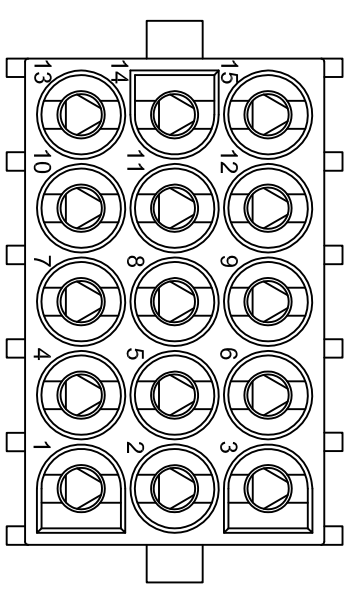
12 POSITION



9 POSITION



15 POSITION



ADAM TECH
 909 Rahway Avenue, Union, NJ 07083
 Phone: 908-687-5000 Fax: 908-687-5710

TITLE: WIRE TO BOARD, FEMALE, 6,35mm PITCH

UNLESS OTHERWISE SPECIFIED
 ALL DIMENSIONS ARE INCHES [MM]
 TOLERANCES: EXCEPT AS NOTED

INCHES		HOLDS	
.X	± .10	ØX	± .10
.XX	± .020	ØXX	± .015
.XXX	± .015	ØXXX	± .010

APPROVALS	DATE	
DRAWN	DY	10/28/10
CHECKED		
APPROVED		

SIZE	PART NO.	REV.
X	DMEF-XX-S-SQ-V0	
REF:	S00123T	SCALE: NTS
		SHEET 2 OF 2

