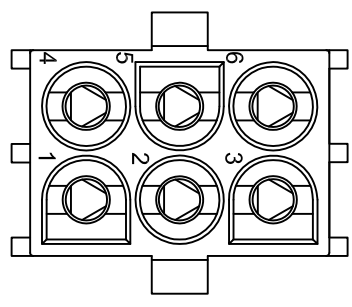


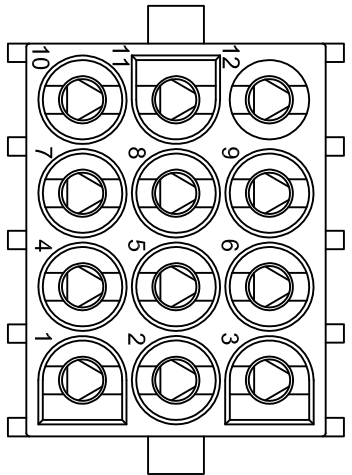
APPROVED: _____
 DATE: _____ TITLE: _____

Rev	AWO #	Description	Date	Appr
		SEE SHT 1 OF 2 FOR REVISION		

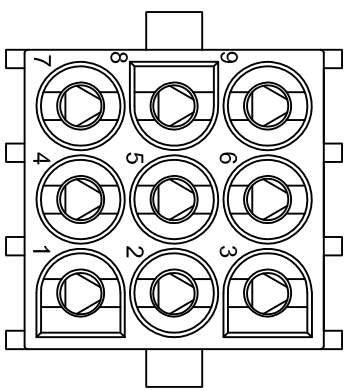
6 POSITION



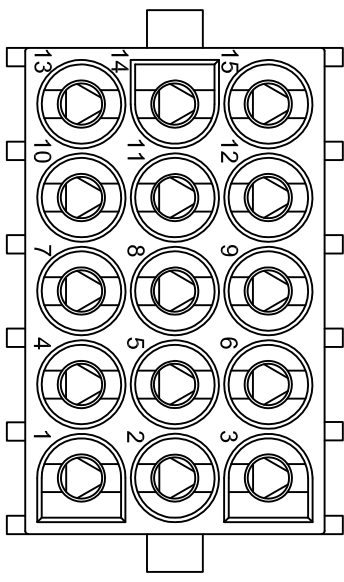
12 POSITION



9 POSITION



15 POSITION



ADAM TECH

909 Rahway Avenue, Union, NJ 07083
 Phone: 908-687-5000 Fax: 908-687-5710

**WIRE TO BOARD, FEMALE, 6.35mm PITCH
 GOLD PLATED**

UNLESS OTHERWISE SPECIFIED
 ALL DIMENSIONS ARE INCHES [MM]
 TOLERANCES: EXCEPT AS NOTED
 INCHES: .X ± .10 Ø.X ± .10
 .XX ± .020 Ø.XX ± .015
 .XXX ± .015 Ø.XXX ± .010

DRAWN		AY	10/26/10	TITLE		WIRE TO BOARD, FEMALE, 6.35mm PITCH GOLD PLATED	
CHECKED		AW	10/26/10	SIZE	PART NO.	DME-XX-S-SQ-G-V0	
APPROVED				REF:	S00123T	SCALE:	NTS
APPROVALS			DATE	REV.		SHEET 2 OF 2	

6 5 4 3 2 1

A B C D