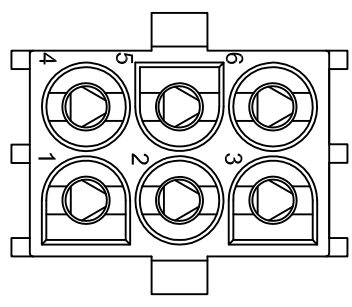


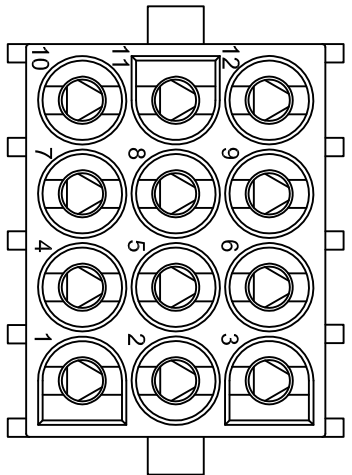
APPROVED: \_\_\_\_\_  
 DATE: \_\_\_\_\_ TITLE: \_\_\_\_\_

Rev	AWO #	Description	Date	Appr
		SEE SHT 1 OF 2 FOR REVISION		

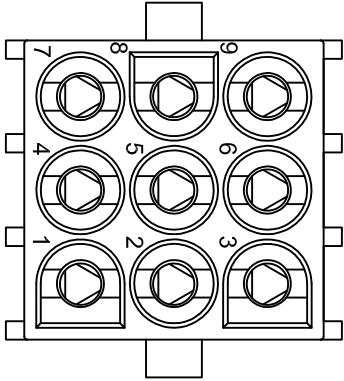
6 POSITION



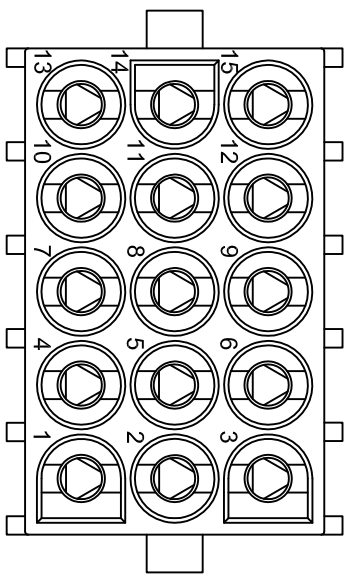
12 POSITION



9 POSITION



15 POSITION



UNLESS OTHERWISE SPECIFIED  
 ALL DIMENSIONS ARE INCHES [MM]  
 TOLERANCES: EXCEPT AS NOTED

INCHES	HILES
.X ± .10	ØXX ± .10
.XX ± .020	ØXXX ± .015
.XXX ± .015	ØXXXX ± .010

APPROVALS: \_\_\_\_\_ DATE: \_\_\_\_\_

DRAWN: DY 10/28/10

CHECKED: \_\_\_\_\_

APPROVED: \_\_\_\_\_

**ADAM TECH**  
 909 Rahway Avenue, Union, NJ 07083  
 Phone: 908-687-5000 Fax: 908-687-5710

TITLE: WIRE TO BOARD, FEMALE, 6.35mm PITCH

SIZE	PART NO.	REV.
X	DME-F-XX-S-SQ-V0	-

REF: S00123T SCALE: NTS SHEET 2 OF 2

