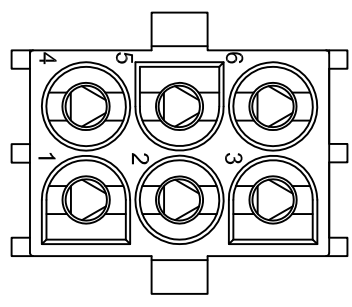


APPROVED: \_\_\_\_\_

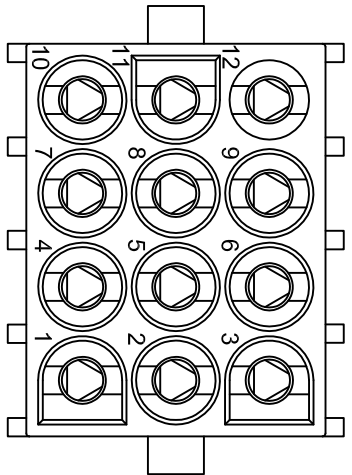
DATE: \_\_\_\_\_ TITLE: \_\_\_\_\_

Rev	AWO #	Description	Date	Appr
		SEE SHT 1 OF 2 FOR REVISION		

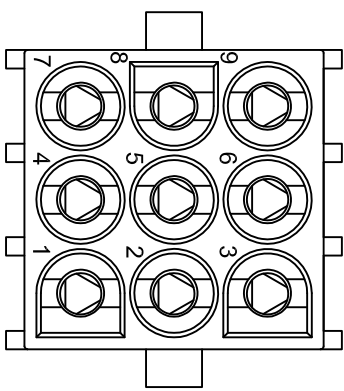
6 POSITION



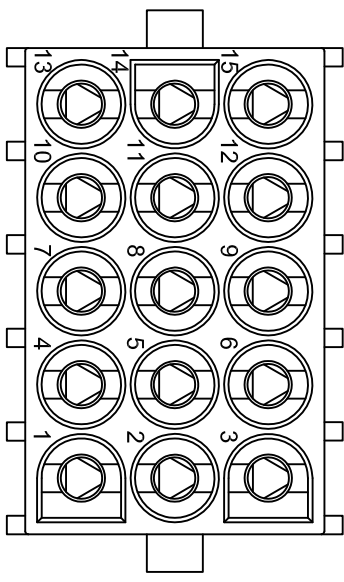
12 POSITION



9 POSITION



15 POSITION



# ADAM TECH

909 Rahway Avenue, Union, NJ 07083  
 Phone: 908-687-5000 Fax: 908-687-5710

**WIRE TO BOARD, FEMALE, 6.35mm PITCH  
 GOLD PLATED**

UNLESS OTHERWISE SPECIFIED  
 ALL DIMENSIONS ARE INCHES [MM]  
 TOLERANCES: EXCEPT AS NOTED  
 INCHES Holes ±.10  
 .X ±.10 Ø.X ±.10  
 .XX ±.020 Ø.XX ±.015  
 .XXX ±.015 Ø.XXX ±.010

APPROVALS	DATE
DRAWN AY	10/29/10
CHECKED AW	10/29/10
APPROVED	

SIZE	PART NO.	REV.
X	DME-F-XX-S-SQ-G-V0	
REF: S00123T	SCALE: NTS	SHEET 2 OF 2

